



Dotti

media center • commons • wellness centers

 contract

DOTTI



DOTTI-16
Seat 12"Dia x 16"H



DOTTI-18
Seat 12"Dia x 18"H



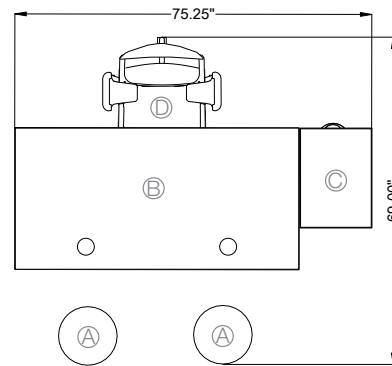
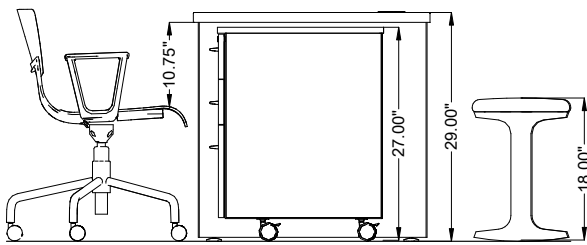
commons

PRODUCT PAIRINGS & KITS

Timmy/Dotti Kit

- Ⓐ (2) Dottis – Dotti-18
- Ⓑ (1) Timmy Rectangle – TDR-L-C3060
- Ⓒ (1) Mobile Storage Pedestal – WMPS661220-W-LL
- Ⓓ (1) Arc Task Chair – ARC-N55F43P

Kit Footprint as Shown:
5'9"D x 6'3.25"W



Dotti Quick Guide

	Dotti
Heights	
16	•
18	•
Features	
Intuitive Rocking Mechanism	•
Embedded Grab Handles	•
Contoured Rubber Base	•
Upholstered Seat Cushion	•
Materials	
Molded High-Impact Plastic	•
Contoured Rubber Base	•
Grades 1-9 or COM Fabric	•

Features & Benefits:



- Designed to encourage movement that engages your core (and your focus!) all day long.
- Perfect for flexible settings
- Intuitive rocking mechanism
- Molded high impact molded plastic with contoured rubber base
- Embedded grab handles
- Light weight and easy to carry
- Small footprint maximizes head count

To Order Specify

Fabric for Seat: Choose from our selection of Grades 1-9 fabrics on our website at :
<https://www.mtcontract.com/resources/fabrics>

** Note: There are some limitations to fabric selections, thicker materials may not apply. Contact factory to confirm approval of selected fabrics.*

Model Number Breakdown:

[DOTTI]-[18]-[G3]

