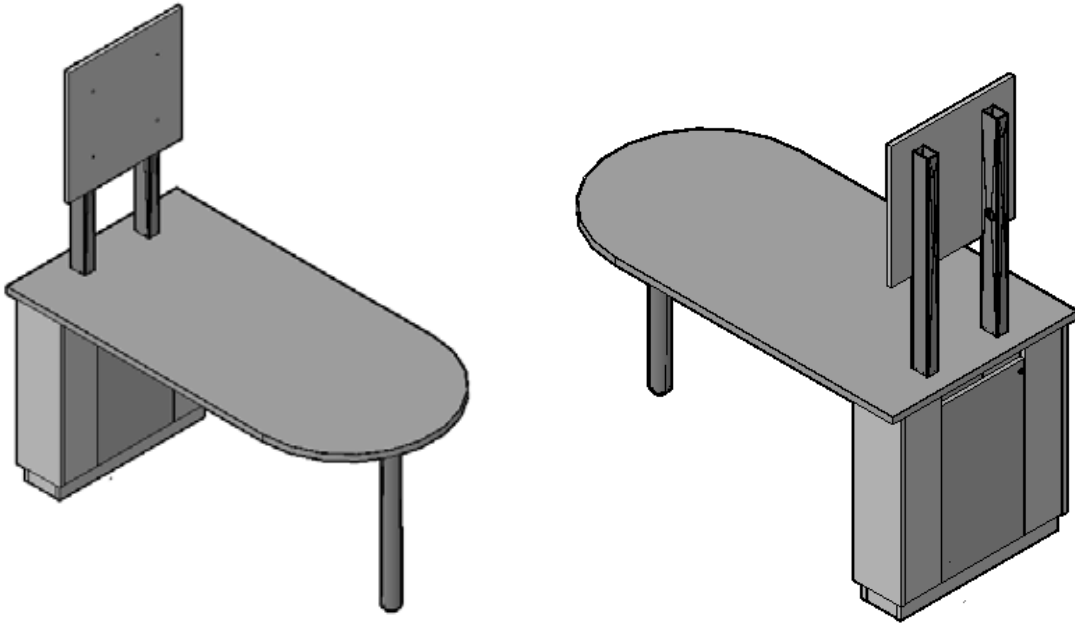


Crayon

Tables



Hardware included:



(800-001682-000)
5/16-18 X 50mm
BLACK
CONNECTOR
BOLT W/
SHOULDER



(800-000001-000)
1/4-20
BLACK CONNECTOR
NUT



(800-000556-000)
1/4-20 X 90mm
BLACK CONNECTOR
BOLT WO/SHOULDER



(800-000052-000)
7/8" DIA.
FLAT WASHER



(800-000133-000)
#12 X 1 PH
SCREW



(800-000012-000)
#8 X 1-1/2" PH
SCREW



(800-000068-000)
#8 X 5/8" PH
SCREW



(800-000054-000)
1X1X2
L-BRKT

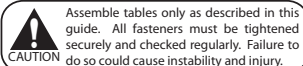


(800-003290-000)
3/8-16 X 1-1/4"
HED FLAT HEAD
SCREW
(only with tables that include
disc base)

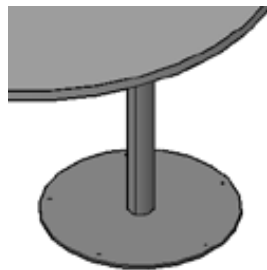
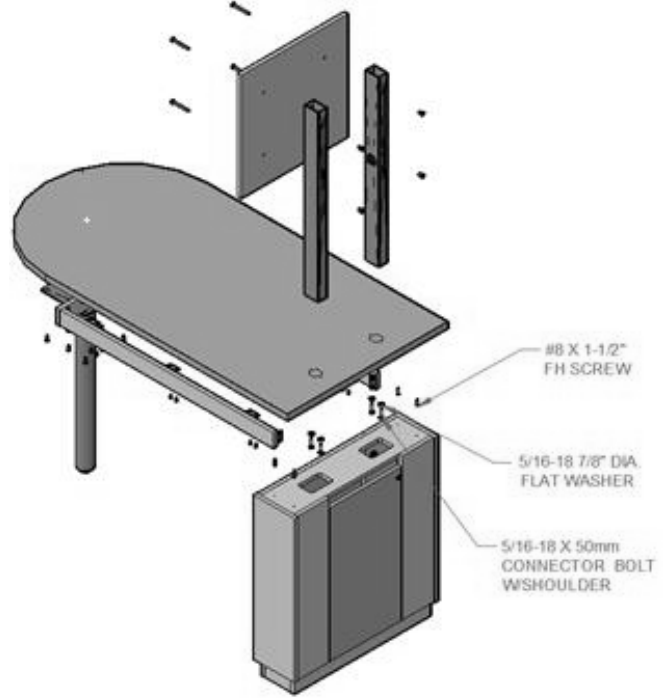
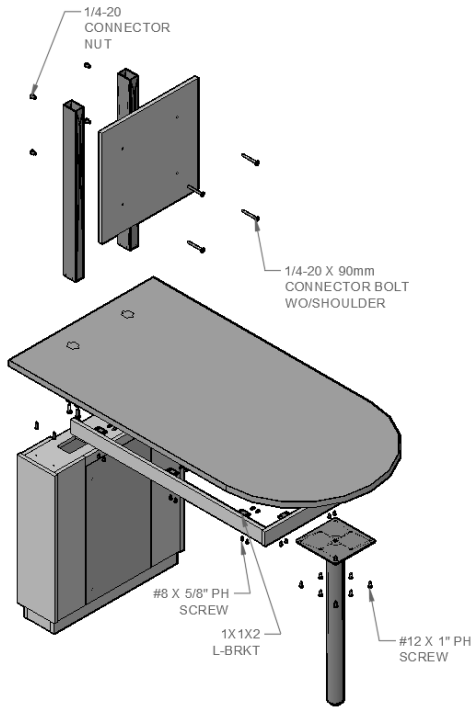
Tools Required:

- Phillips Head Screwdriver
- Allen Wrench 5/32" & 3/16"

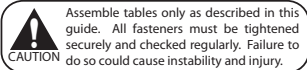
instructions-crayon-220803

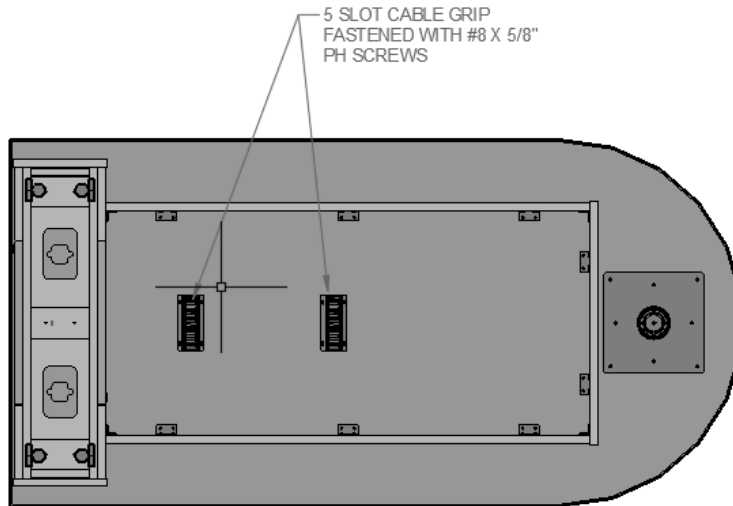


mtcontract



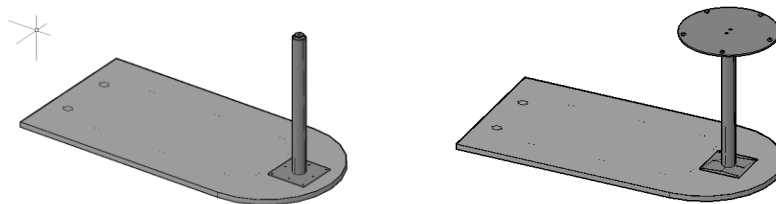
Unit may be supplied with either column or column with disc base, depending on size.
Reference assembly drawing included with shipment.





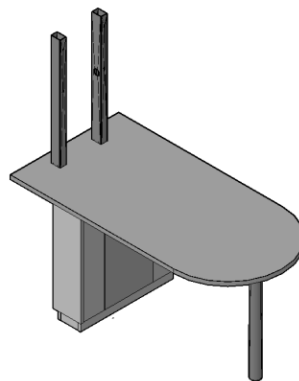
Step 1:

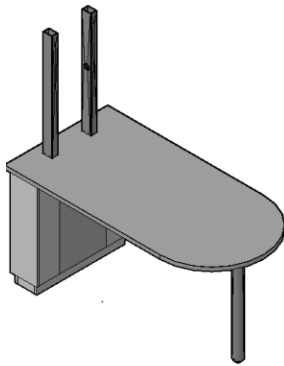
Attach Front leg to bottom of table using #12 x 1" PH screws (800-000133-000), 3/8"-16 x 1-1/4" hex drive flat head screw (800-003290-000) to attach disc base if disc base is included.



Step 2:

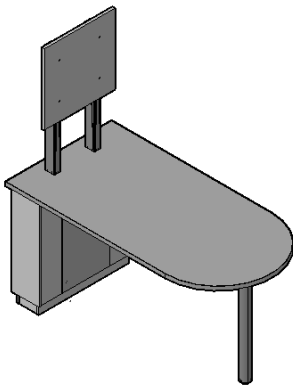
Flip table over and place on top of box assembly with the box assembly 1' or so back from back edge of table to allow for fastening of tv support posts. Fasten tv support posts with 5/16-18 x 50mm connector bolts (800-001682-000) and 7/8" washers (800-000052-000).





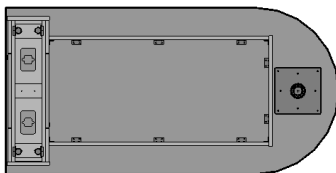
Step 3:

Attach box assembly 1/4" from back edge of table with #8 X 1-1/2" FH screws (800-000012-000).



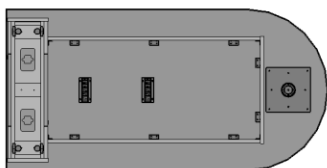
Step 4:

Attach monitor panel with 1/4-20 connector nuts (800-000001-000) and 90mm connector bolts (800-000556-000).



Step 5:

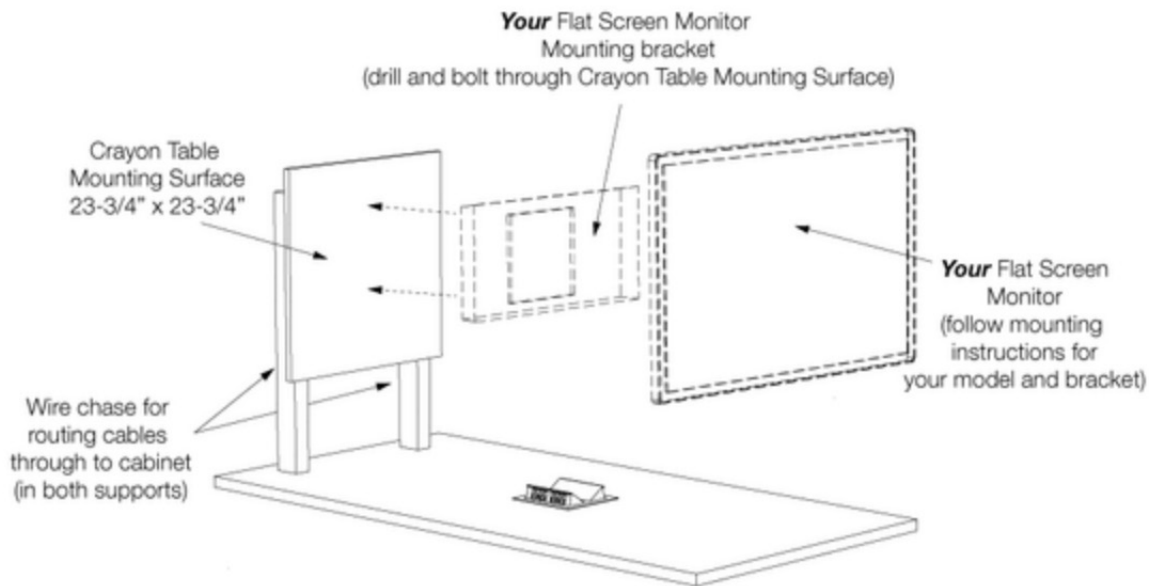
Assemble aprons on the underside using L-brackets (800-000054-000) and #8 x 5/8" PH screws (800-000068-000).



Step 6:

Place cable grips on the underside where needed using #8 x 5/8" PH screws (800-000068-000).

Mounting a Flat Screen Monitor to the Crayon Table



How large can my monitor be?

Generally speaking, as long as you can safely bolt your monitor's mounting bracket to the Crayon Table Mounting Surface, you should be able to use nearly any size monitor.

* TV Monitor and bracket not included.