



Arc Seating

media center • café commons • office





media center



café commons



Chairs & Stools Quick Guide

	Arc
Base Style	
4 Post	•
Sled Base	•
Glides	•
Swivel-Tilt-Task	•
Heights	
Chair Height	•
Counter Stool Height	•
Café Stool Height	•
Features	
Arms	•
Armless	•
Materials	
Thermoplastic	•
Upholstery	•
Veneer	•
Laminate	•
Powder Coat	•



4-Leg Chair
ARC-N55F43P



4-Leg Chair w/ Arms
ARC-N55F42P



Swivel Task Chair
ARC-G55D43-G7



Swivel Task Chair w/ Arms
ARC-G55D42DP-G7



Sled Base
ARC-N55E43-G7



Sled Base w/ Arms
ARC-N55E42DP-G7



Counter Height Stool
ARC-S55F43WCH



Bar Height Stool
ARC-S55F43WBH



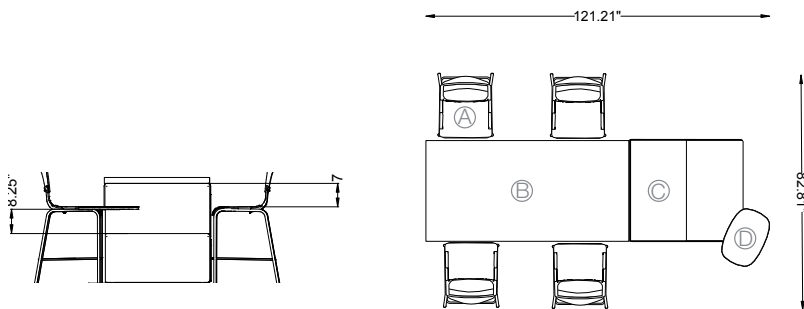
Bar Height Stool
w/ Arms
ARC-S55F42DWBH-G7

PRODUCT PAIRINGS & KITS

Arc Kit 1

- Ⓐ (4) Arc Stools ARC-S55F43PBH
- Ⓑ (1) Downtown Table
- Ⓒ (1) Ad Lib AD2
- Ⓓ (1) Forum Side Gig Table FRM-C1420E-26

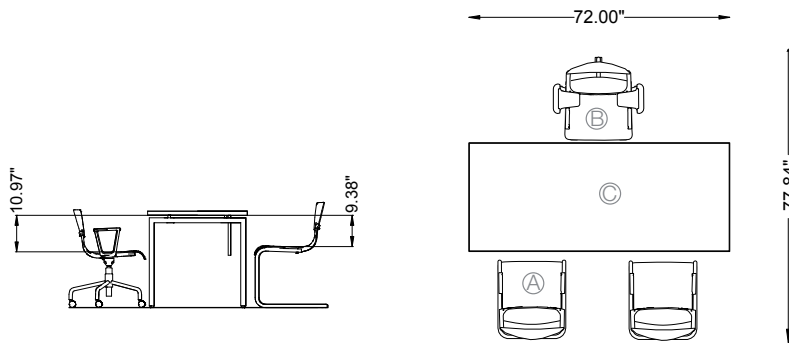
Footprint as shown is
7'D x 10'W



Arc Kit 2

- Ⓐ (2) Arc Sled Base Chairs ARC-N55F43P
- Ⓑ (1) Arc Task Chair ARC-G55D43P
- Ⓒ (1) GTX Desk GD-C3060-29

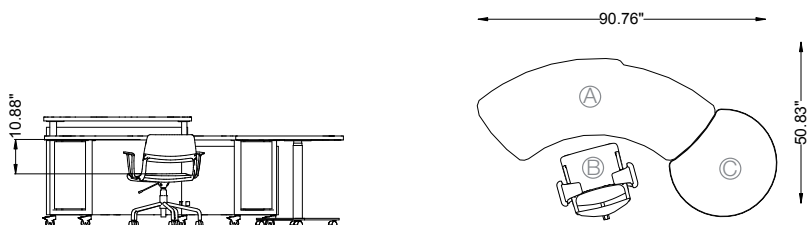
Kit Footprint as Shown:
6.5'D x 6'W



Arc Kit 3

- Ⓐ (1) Nomad Desk ND-75DL-MOB
- Ⓑ (1) Arc Task Chair ARC-G55D43P
- Ⓒ (1) Porter X-Base Desk PX26-C0030-29

Kit Footprint as Shown:
4'D X 7.5'W





Features & Benefits:

- Conceived by celebrated designer Jonas Damon, Arc is both sinuous in its form and classic in its expression.
- A range of base options are available including 4-Leg, Swivel Task, Sled Base, Counter Height Stool & Bar Height Stool.
- Chosen for its durability, quality and value, the die-cast aluminum seat structure unifies the independent and interchangeable elements of the seat, backrest, arms and base.
- Seat, backrest, and arms may be specified in a broad spectrum of interchangeable materials and finishes for maximum design creativity, functionality, and ease of maintenance
- Standard glides are nylon, non-marring clear glides, Steel glides available

To Order Specify

8 Group I Frame Finishes: 809 Silver, 138 White, 109 Cream, 208 Putty, 304 Dove Grey, 407 Stone, 912 Black, 902 Black Wrinkle

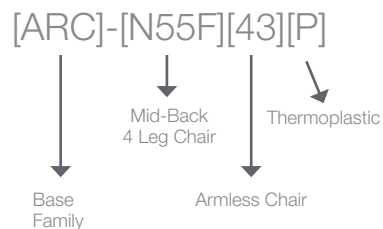
11 Group II Frame Finishes (up-charge): 5003 Navy, 808 Nickel, 405 Charcoal, 621 Goldfinch, 622 Parakeet, 613 Blue Heron, 627 Blue Wren, 629 Hummingbird, 618 Purple Martin, 624 Cardinal, MIR Chrome

17 Thermoplastic (Polypropylene) Color Options: T16 Dove, T11, Swan, T15 Falcon, T12 Raven, T17 Woodpecker, T22 Parakeet, T19 Peacock, T29 Hummingbird, T13 Blue Heron, T27 Blue Wren, T18 Purple Martin, T21 Goldfinch, T23 Oriole, T24 Cardinal, T14 Jay*, T20 Macaw*, T25 Flamingo*
**Limited Stock Available*

Fabric and Colorway: Grade 1-9, COM. Note Momentum; Silica, Silica Leather and Canter are not approved for use.

See **mediatechnologie's** finish choices at
<https://www.mtcontract.com/resources/finishes>

Model Number Breakdown:



Options



Nylon glides



Metal glide