



# Timmy

classroom • office • esports

 contract



esports

# TIMMY

## Desk Units



Timmy Convex Bow  
TDB-\_-C2448-29  
TDB-\_-C2460-29  
TDB-\_-C2472-29  
TDB-\_-C3048-29  
TDB-\_-C3060-29  
TDB-\_-C3072-29  
24"/30"D x 48"/60"/72"W x 29"H



Timmy Rectangular  
TDR-\_-C2448-29  
TDR-\_-C2460-29  
TDR-\_-C2472-29  
TDR-\_-C3048-29  
TDR-\_-C3060-29  
TDR-\_-C3072-29  
24"/30"D x 48"/60"/72"W x 29"H



Timmy Convex Bow Conference  
TDBC-\_-C2448-29  
TDBC-\_-C2460-29  
TDBC-\_-C2472-29  
TDBC-\_-C3048-29  
TDBC-\_-C3060-29  
TDBC-\_-C3072-29  
24"/30"D x 48"/60"/72"W x 29"H



Timmy Rectangular Conference  
TDRC-\_-C2448-29  
TDRC-\_-C2460-29  
TDRC-\_-C2472-29  
TDRC-\_-C3048-29  
TDRC-\_-C3060-29  
TDRC-\_-C3072-29  
24"/30"D x 48"/60"/72"W x 29"H

## Desk Return Units



Return Right  
TDRR-\_-C2036-29  
TDRR-\_-C2042-29  
TDRR-\_-C20448-29  
20"D x 36"/42"/48"W x 29"H



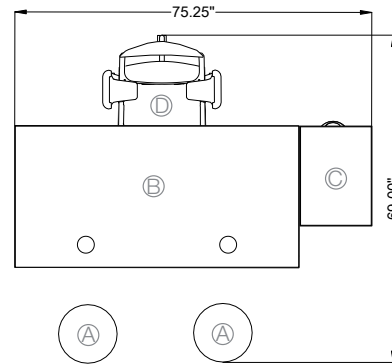
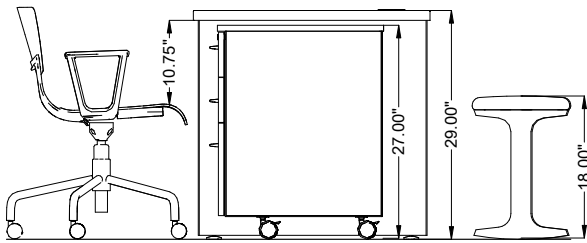
Return Left  
TDLR-\_-C2036-29  
TDLR-\_-C2042-29  
TDLR-\_-C2048-29  
20"D x 36"/42"/48"W x 29"H

# PRODUCT PAIRINGS & KITS

## Timmy/Dotti Kit

- Ⓐ (2) Dotti – Dotti-18
- Ⓑ (1) Timmy Rectangle – TDR-L-C3060
- Ⓒ (1) Mobile Storage Pedestal – WMPS661220-W-LL
- Ⓓ (1) Arc Task Chair – ARC-N55F43P

Kit Footprint as Shown:  
5'9"D x 6'3.25"W



## Timmy Quick Guide

	Timmy
<b>Worksurface Shapes</b>	
Rectangular	•
Convex Bow	•
<b>Height</b>	
29"H	•
<b>Materials</b>	
High Pressure Laminate	•
Thermally Fused Laminate	•
PVC	•
<b>Features</b>	
Grommets	•
Full Length Modesty Panel	•

# Features & Benefits:



- Rectangular or Convex bowed work surface is high pressure laminate with 3mm PVC edges
- Desk base available in thermally fused laminate and high pressure laminate
- Full-length modesty panel. Recessed modesty panel creates Conference Top option.
- Left or right return options available to extend work area
- Each panel is equipped with (2) adjustable glides
- (2) 80mm grommets come included
- Power and connectivity available, see our Connect brochure for available options.  
**Note:** Sparky, Port & Jolt are designed to fit in existing 80mm grommet holes.

## To Order Specify

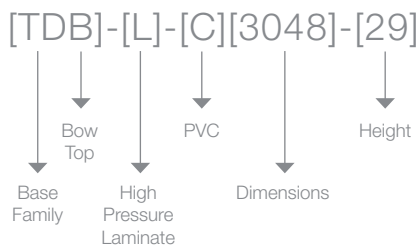
**High Pressure Laminate:** Choose from our selection of high pressure laminates on our website. View our Finish & Color Guide for Color Match suggestions at <https://www.mtcontract.com/resources/downloads/guides>

**Thermally Fused Laminate:** Choose from our selection of thermally fused laminates on our website. View our Finish & Color Guide for Color Match suggestions at <https://www.mtcontract.com/resources/downloads/guides>

**PVC:** Choose from our selection of PVC edgebanding.

See MTContract's finish choices at <https://www.mtcontract.com/resources/finishes>

## Model Number Breakdown:

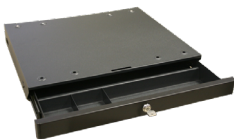


## Features

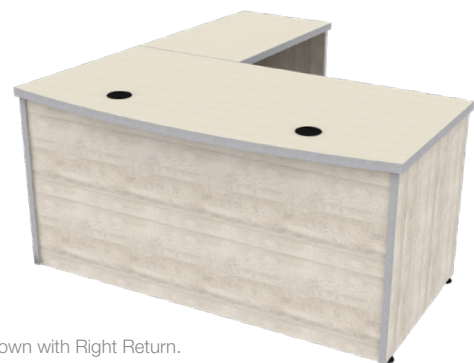


(2) 80mm Wire Grommet Come Standard

## Options



Pencil Drawer  
MCD1817



\*Shown with Right Return.