

General Specifications

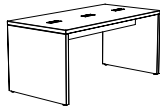
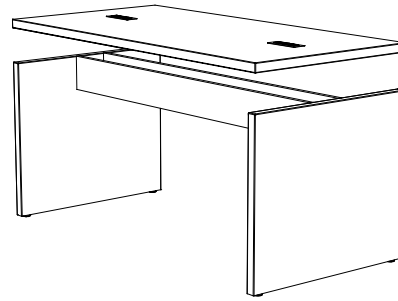
Table Top: Table tops are 2-3/8" thick particle board core with .050" high-pressure laminate top surface and .030" phenolic backer. Edges are available in either high-pressure laminate or 8mm hardwood.

Stretchers: The stretchers are fabricated from 1-3/16" particle board core with premium grade oak, maple or high-pressure laminate faces. Edge on veneer panels is 3mm wood, profiled square with a radius along the corners. HPL panels are self-edged. Stretchers are 11-3/4"H and are centered under the table top and spaced to allow an 8" space between them. Stretchers are fastened to end panels with L-brackets and to the table top with L-brackets

Panel Legs: Panel legs are 2-3/8" thick particle board core with a choice of .050" high-pressure laminate or hardwood veneer on both surfaces. Edges are available in either high-pressure laminate or 8mm hardwood. High-pressure laminate panel legs are fitted with aluminum corner guards. The bottom of each leg is fitted with two adjustable leveling glides.

Power/Connectivity: Power/connectivity units are offered as an option. The units will be mounted centered in and flush to the top surface and are liquid resistant. Units may be specified with 2 power & 1 active USB or 2 power & 2 data. Units are available in gloss black or white and are supplied with a 72" long cord.

Finish: Visit our website for Finish and Color Guide for choices.



Rectangular Table			
Model Number	Description	Wgt.	List Price
Veneer Panels with 8mm Wood Edges			
DT-F3660-29	36" x 60" x 29"H	237	\$5,917
DT-F3660-36	36" x 60" x 36"H	259	\$5,917
DT-F3660-42	36" x 60" x 42"H	280	\$5,917
DT-F3672-29	36" x 72" x 29"H	263	\$6,137
DT-F3672-36	36" x 72" x 36"H	284	\$6,137
DT-F3672-42	36" x 72" x 42"H	306	\$6,137
DT-F3684-29	36" x 84" x 29"H	289	\$6,610
DT-F3684-36	36" x 84" x 36"H	311	\$6,610
DT-F3684-42	36" x 84" x 42"H	333	\$6,610
DT-F3696-29	36" x 96" x 29"H	315	\$6,610
DT-F3696-36	36" x 96" x 36"H	337	\$6,610
DT-F3696-42	36" x 96" x 42"H	358	\$6,610
DT-F4260-29	42" x 60" x 29"H	280	\$7,350
DT-F4260-36	42" x 60" x 36"H	309	\$7,350
DT-F4260-42	42" x 60" x 42"H	331	\$7,350
DT-F4272-29	42" x 72" x 29"H	306	\$7,698
DT-F4272-36	42" x 72" x 36"H	335	\$7,698
DT-F4272-42	42" x 72" x 42"H	356	\$7,698
DT-F4284-29	42" x 84" x 29"H	340	\$8,374
DT-F4284-36	42" x 84" x 36"H	368	\$8,374
DT-F4284-42	42" x 84" x 42"H	390	\$8,374
DT-F4296-29	42" x 96" x 29"H	365	\$8,374
DT-F4296-36	42" x 96" x 36"H	394	\$8,374
DT-F4296-42	42" x 96" x 42"H	416	\$8,374
DT-F4860-29	48" x 60" x 29"H	330	\$7,350
DT-F4860-36	48" x 60" x 36"H	359	\$7,350
DT-F4860-42	48" x 60" x 42"H	388	\$7,350
DT-F4872-29	48" x 72" x 29"H	369	\$7,698
DT-F4872-36	48" x 72" x 36"H	396	\$7,698
DT-F4872-42	48" x 72" x 42"H	424	\$7,698
DT-F4884-29	48" x 84" x 29"H	406	\$8,374
DT-F4884-36	48" x 84" x 36"H	434	\$8,374
DT-F4884-42	48" x 84" x 42"H	463	\$8,374
DT-F4896-29	48" x 96" x 29"H	442	\$8,374
DT-F4896-36	48" x 96" x 36"H	471	\$8,374
DT-F4896-42	48" x 96" x 42"H	500	\$8,374

Rectangular Table			
Model Number	Description	Wgt.	List Price
Laminated Panels with Self Edges and Corner Guards			
DT-A3660L-29	36" x 60" x 29"H	237	\$4,671
DT-A3660L-36	36" x 60" x 36"H	259	\$4,671
DT-A3660L-42	36" x 60" x 42"H	280	\$4,671
DT-A3672L-29	36" x 72" x 29"H	263	\$4,794
DT-A3672L-36	36" x 72" x 36"H	284	\$4,794
DT-A3672L-42	36" x 72" x 42"H	306	\$4,794
DT-A3684L-29	36" x 84" x 29"H	289	\$5,165
DT-A3684L-36	36" x 84" x 36"H	311	\$5,165
DT-A3684L-42	36" x 84" x 42"H	333	\$5,165
DT-A3696L-29	36" x 96" x 29"H	315	\$5,165
DT-A3696L-36	36" x 96" x 36"H	337	\$5,165
DT-A3696L-42	36" x 96" x 42"H	358	\$5,165
DT-A4260L-29	42" x 60" x 29"H	280	\$5,985
DT-A4260L-36	42" x 60" x 36"H	309	\$5,985
DT-A4260L-42	42" x 60" x 42"H	331	\$5,985
DT-A4272L-29	42" x 72" x 29"H	306	\$6,266
DT-A4272L-36	42" x 72" x 36"H	335	\$6,266
DT-A4272L-42	42" x 72" x 42"H	356	\$6,266
DT-A4284L-29	42" x 84" x 29"H	340	\$6,728
DT-A4284L-36	42" x 84" x 36"H	368	\$6,728
DT-A4284L-42	42" x 84" x 42"H	390	\$6,728
DT-A4296L-29	42" x 96" x 29"H	365	\$6,728
DT-A4296L-36	42" x 96" x 36"H	394	\$6,728
DT-A4296L-42	42" x 96" x 42"H	416	\$6,728
DT-A4860L-29	48" x 60" x 29"H	330	\$5,985
DT-A4860L-36	48" x 60" x 36"H	359	\$5,985
DT-A4860L-42	48" x 60" x 42"H	388	\$5,985
DT-A4872L-29	48" x 72" x 29"H	369	\$6,266
DT-A4872L-36	48" x 72" x 36"H	396	\$6,266
DT-A4872L-42	48" x 72" x 42"H	424	\$6,266
DT-A4884L-29	48" x 84" x 29"H	406	\$6,728
DT-A4884L-36	48" x 84" x 36"H	434	\$6,728
DT-A4884L-42	48" x 84" x 42"H	463	\$6,728
DT-A4896L-29	48" x 96" x 29"H	442	\$6,728
DT-A4896L-36	48" x 96" x 36"H	471	\$6,728
DT-A4896L-42	48" x 96" x 42"H	500	\$6,728

Set Up Charges and Upcharges for Non-Standard and Custom Finishes

Model Number	Description	List Price
Non-Standard PVC	Upcharge, per color, per order, for non-standard PVC	\$911
Custom Finish	Upcharge for custom stain finish	\$640
Non-Standard Stain	Upcharge for non-standard stains already matched	\$283
Sprayon Finish	Upcharge, per color, per order, for Sprayon finish	\$329

Required to order: Model # including options if applicable.
 • veneer selection and finish (if applicable)
 • HPL selection (if applicable)

Note: veneer prices shown are for oak veneer. Use of maple or other species may incur an upcharge.

Prices and specifications subject to change without notice

P-DOWNTOWN-240114

www.mtcontract.com • Tel: 231-861-2194

