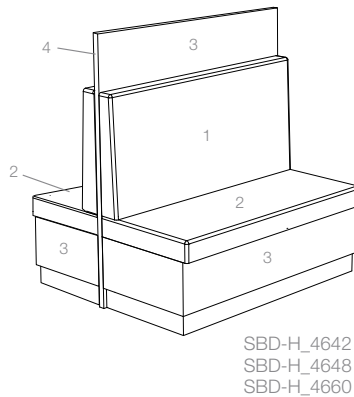
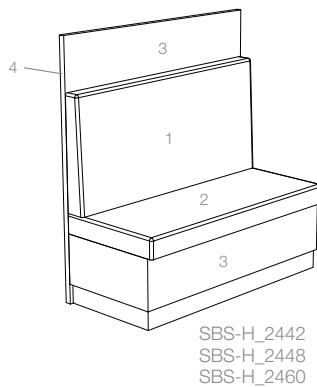
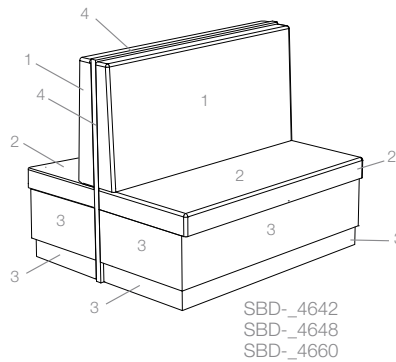
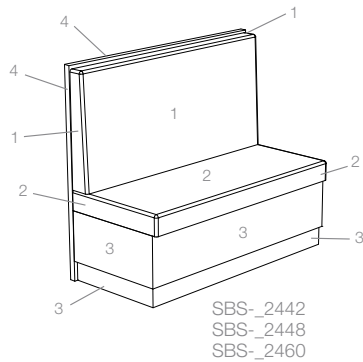


# SHIRLEY FINISH DESIGNATOR



\*COM Yardage:

SBS-_2442	3 yd	SBS-_2442-H	3 yd	SBD-_4642	6 yd	SBD-_4642-H	6 yd
SBS-_2448	3 yd	SBS-_2448-H	3 yd	SBD-_4648	6 yd	SBD-_4648-H	6 yd
SBS-_2460	4 yd	SBS-_2460-H	4 yd	SBD-_4660	8 yd	SBD-_4660-H	8 yd

**Job:**

**Model Number:**

**Finish Schedule:**

1 Back Fabric: \_\_\_\_\_

2 Seat Fabric: \_\_\_\_\_

3 Bench Base/Back HPL or Wood Veneer : \_\_\_\_\_

4 PVC or Wood Edge: \_\_\_\_\_

\*COM yardage is based on single material. For multiple selections divide number of colors by total faces and factor up by 20%.



shirley-finishdesignator-190327

892 Industrial Park Drive  
Shelby, MI 49455  
P: 231.861.2194 | F: 231.861.6678  
www.mtcontract.com  
sales@mediatechnologies.com

