

General Specifications

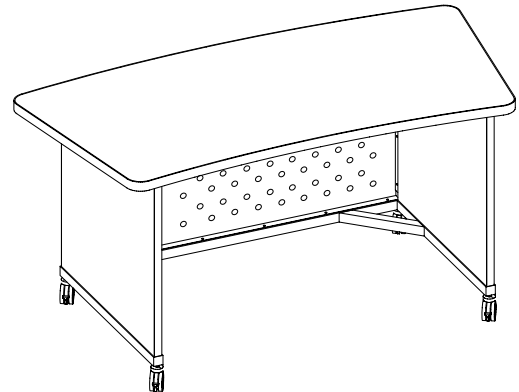
Work surface: Tops are 1/4" thick, three ply 45# particle board construction with .050" high pressure laminate top surface and a .030" phenolic backer. Edge is 3mm PVC with a 1/8" radius top and bottom. Tops are attached to the end and modesty panels with (4) steel brackets and mounted via 1/4"-20 inserts and bolts.

Case: End Panels are 1/4" HPL or 1" thick thermally fused laminate. Edge is 3mm PVC with a 1/8" radius top and bottom. The case is made up of two end panels and a 14-gauge perforated powder coated steel front panel. End Panels have embedded threaded metal inserts to accept machine threaded connecting hardware for metal-to-metal fastener contact to work surface top. End Panels receive male mod-eez connectors at three locations to attach to modesty panel. Tops are attached to the end and modesty panels with (3) steel brackets and mounted via 1/4"-20 inserts and bolts.

Steel Chassis Frame: Frame shall be a welded assembly of 1-1/4" square 14 gauge steel tube, drilled and tapped to receive casters and bored for connecting hardware. Finish shall be powder coat, manufacturer's standard colors.

Casters: Casters shall be 80mm twin wheel swivel casters with brake, rated at 100# per caster. Assembled unit shall use a total of (4) casters.

Finish: Standard powder coat on all metal parts is black; other colors may be specified. See mtcontract Finish and Color Guide for choices.



48" Wide



60" Wide



Scholar Desk			
Model Number	Description	Wgt.	List Price
Melamine Panels			
PD4830T-MB	48"W x 30"D x 29"H	102	\$1,552
PD6030T-MB	60"W x 30"D x 29"H	118	\$1,677
High Pressure Laminate Panels			
PD4830L-MB	48"W x 30"D x 29"H	110	\$1,694
PD6030L-MB	60"W x 30"D x 29"H	118	\$1,811

Required to order: Model # including options if applicable

- HPL selection
- PVC selection
- powder coat selection
- melamine (TFL) selection (if applicable)

Set Up Charges and Upcharges for Non-Standard and Custom Finishes

Model Number	Description	List Price
Group 2 Powder Coat	Set up charge, per color, per order, for Group 2 Powder Coat	\$312
Non-Standard PVC	Upcharge, per color, per order, for non-standard PVC	\$865