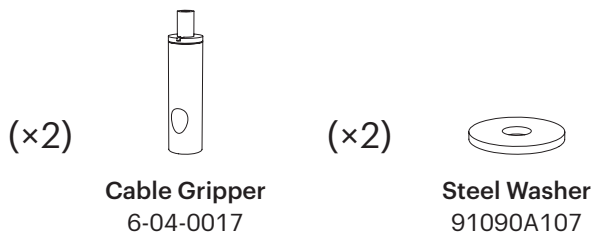
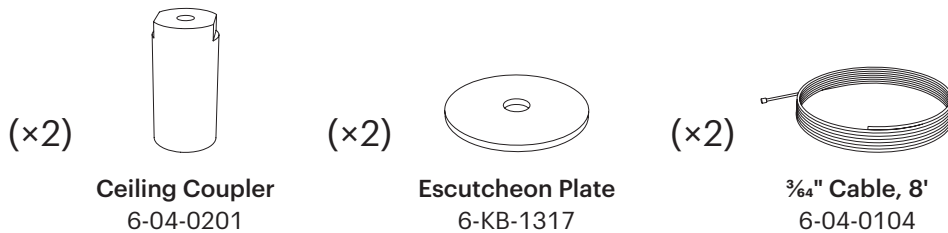
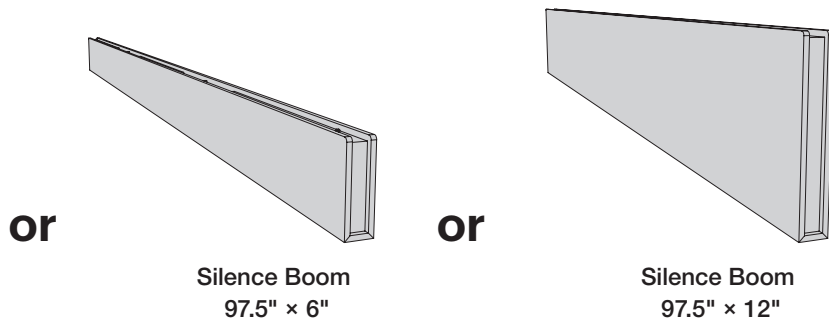
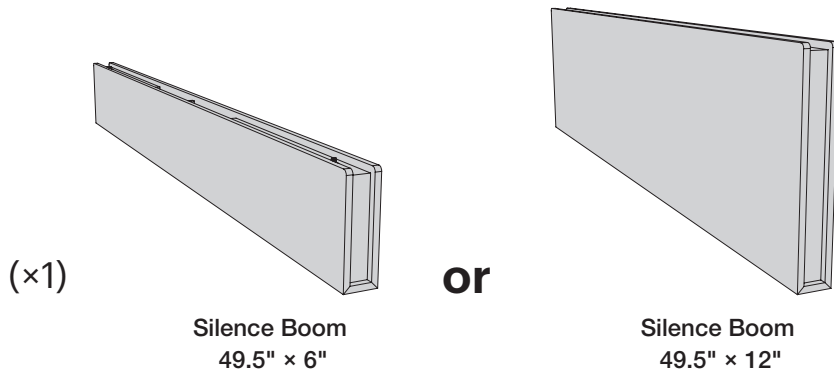
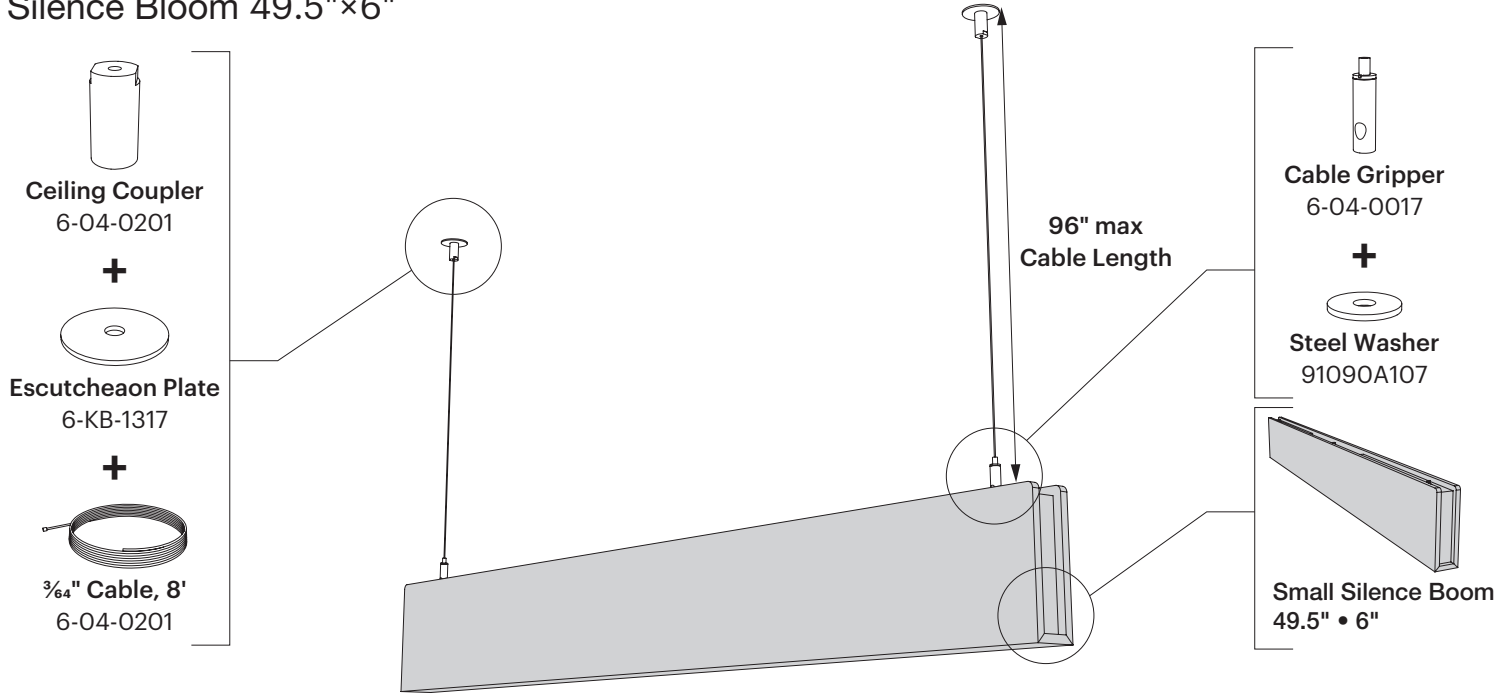


## Contents Overview

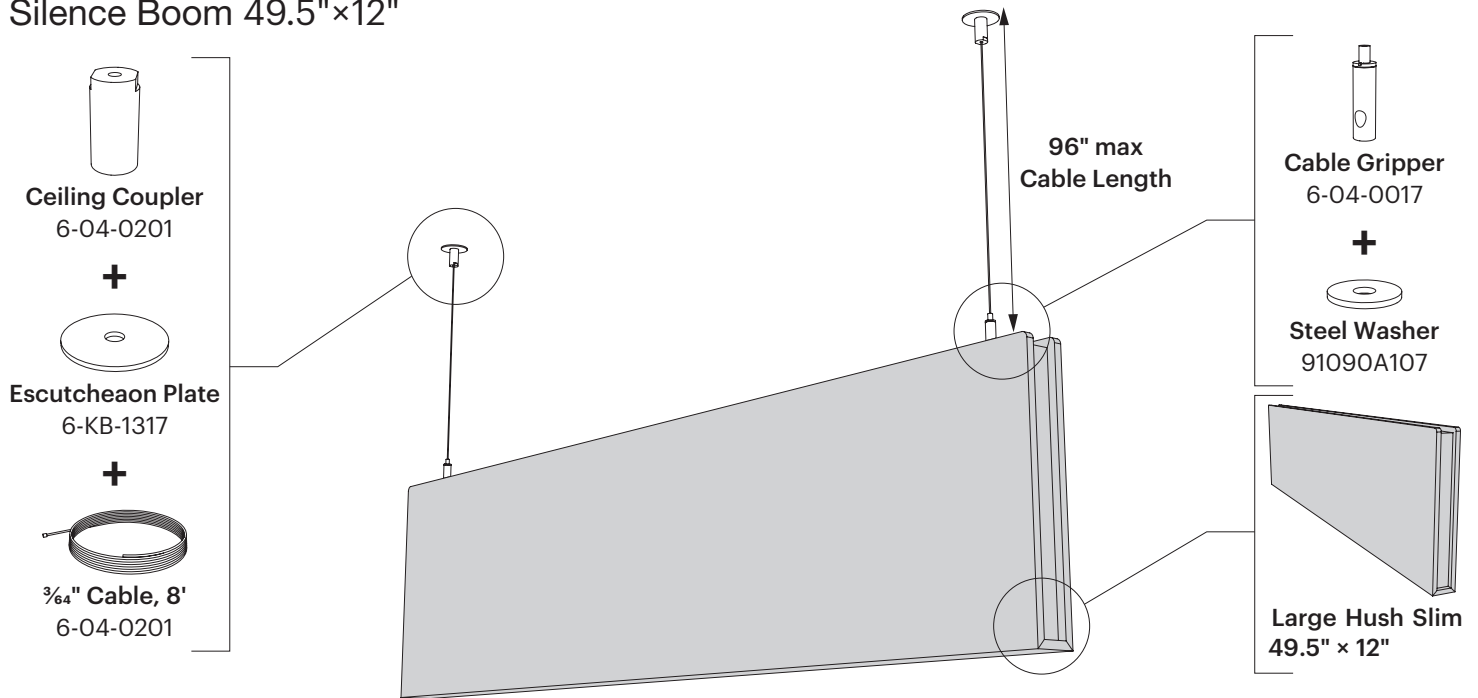


## Overview 400.49

Silence Bloom 49.5"×6"



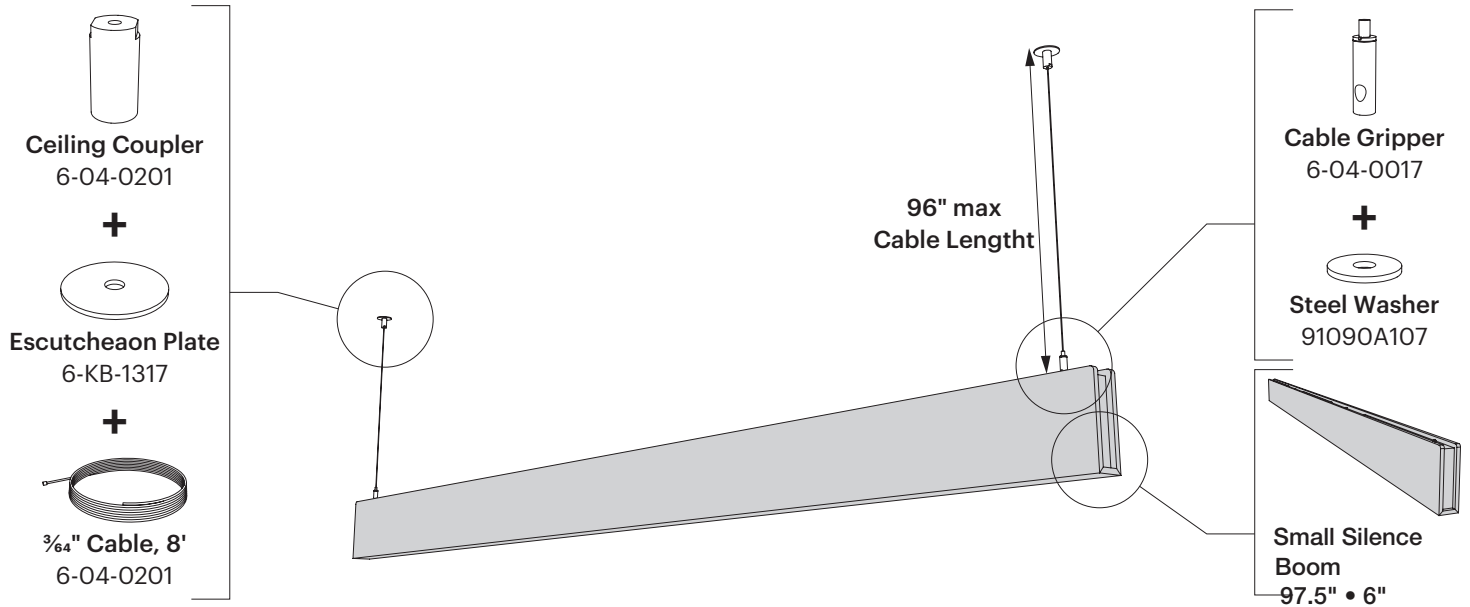
Silence Boom 49.5"×12"



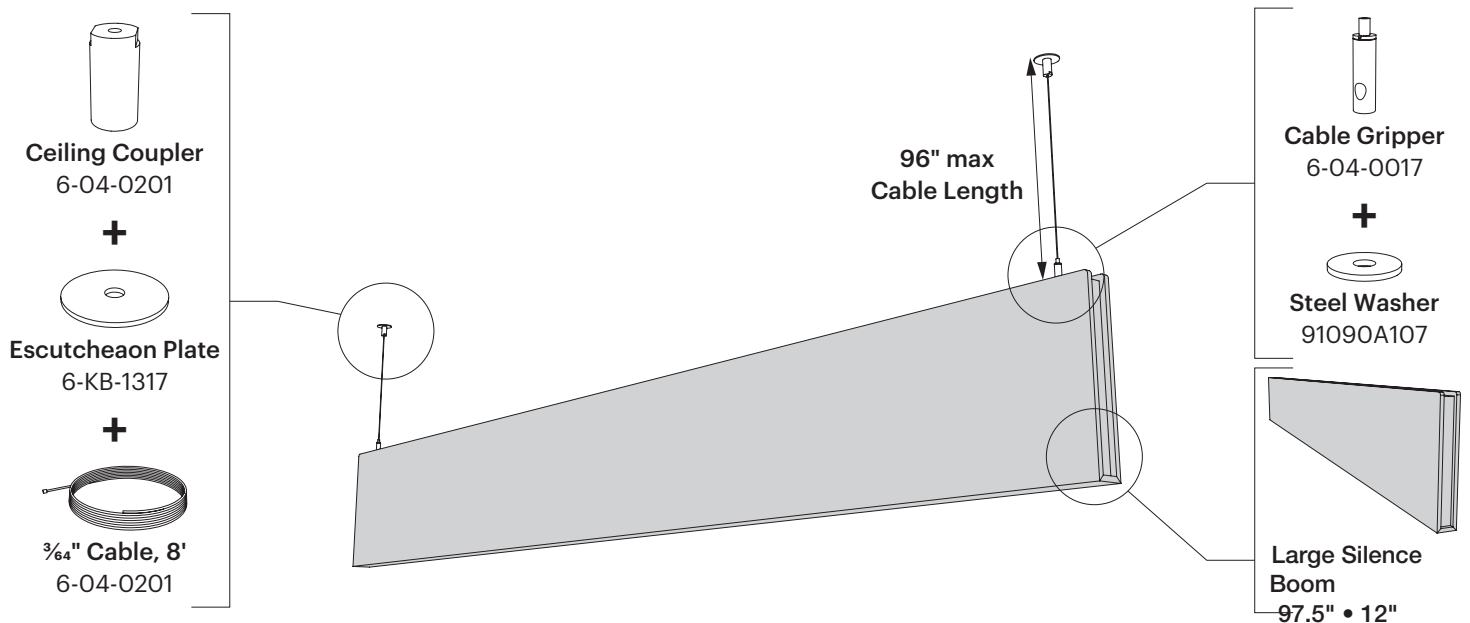
## Overview 400.50

Silence Boom

97.5"×6"

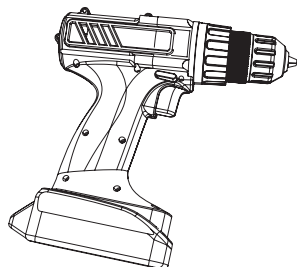


## Silence Boom Baffle 97.5"×12"



## Installation

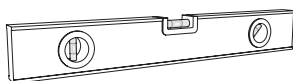
### Required Tools



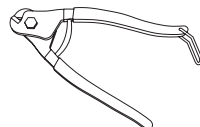
Drill



Drill Bits



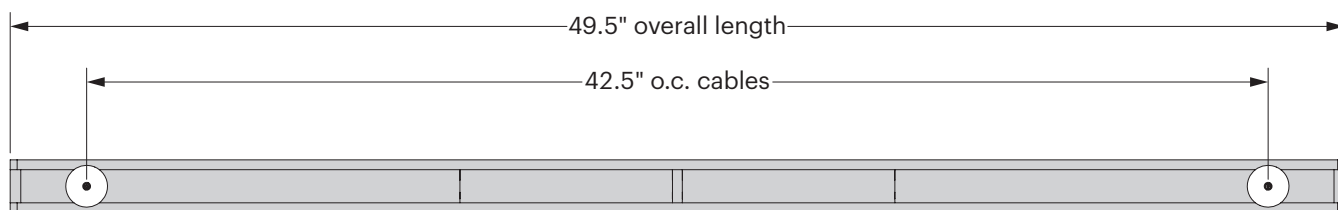
Level



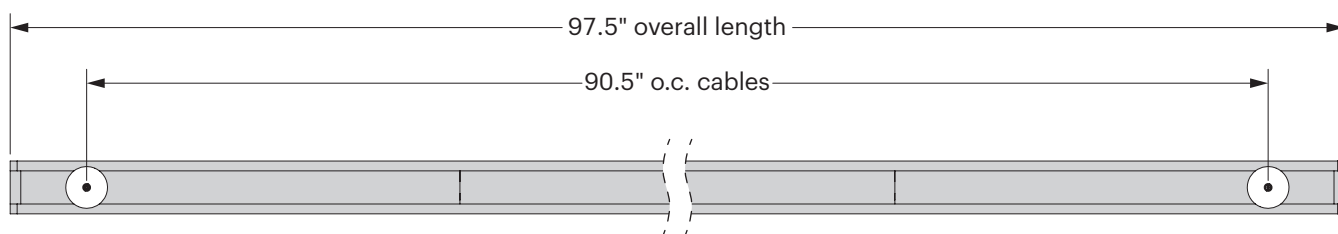
Cable Cutters

## 1 Position Silence Boom and Mark Mounting Location

**a** 400.49: Anchors should be spaced 42.5" for mounting locations.



400.50: Anchors should be spaced 90.5" for mounting locations.



**b** Anchor a ¼"-20 Threaded Rod (provided by others) in ceiling at mounting locations. The installed rod should extend ½" below the line of the finish ceiling.

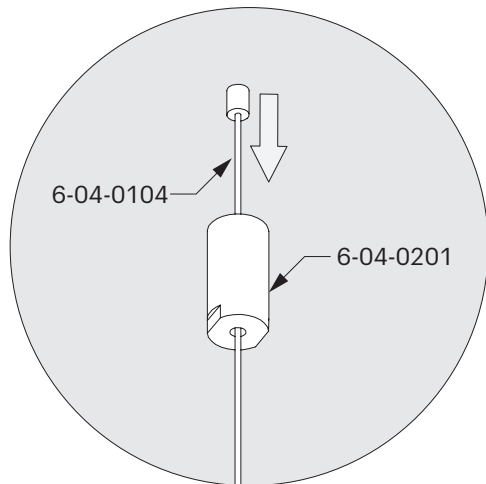
Recommendations for anchoring:

Anchoring Substrate	Anchor	¼"-20 Threaded Rod
Drywall	McMaster 97802A316	McMaster 95412A550
Wood	McMaster 90192A153	McMaster 95412A542
Concrete	McMaster 97083A490	McMaster 95412A540
Unistrut	McMaster 3259T31 + 3133T11	McMaster 95412A542

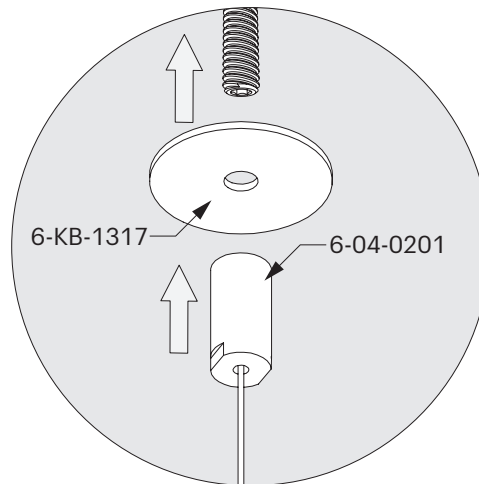
## Installation

### 2 Install Ceiling Coupler (×2)

**a** Insert Cable (6-04-0104) through Coupler (6-04-0201).

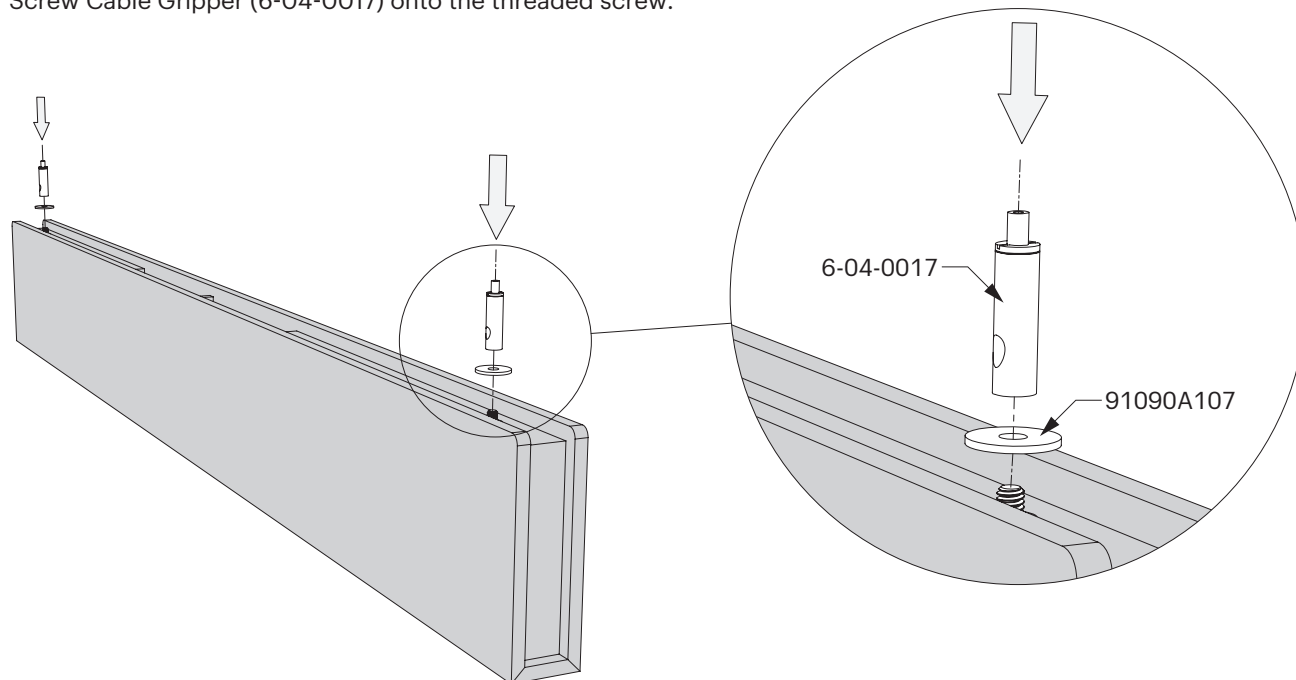


**b** Attach Coupler (6-04-0201) and Escutcheon Plate (6-KB-1317) to threaded rod.



### 3 Install Cable Gripper (×2)

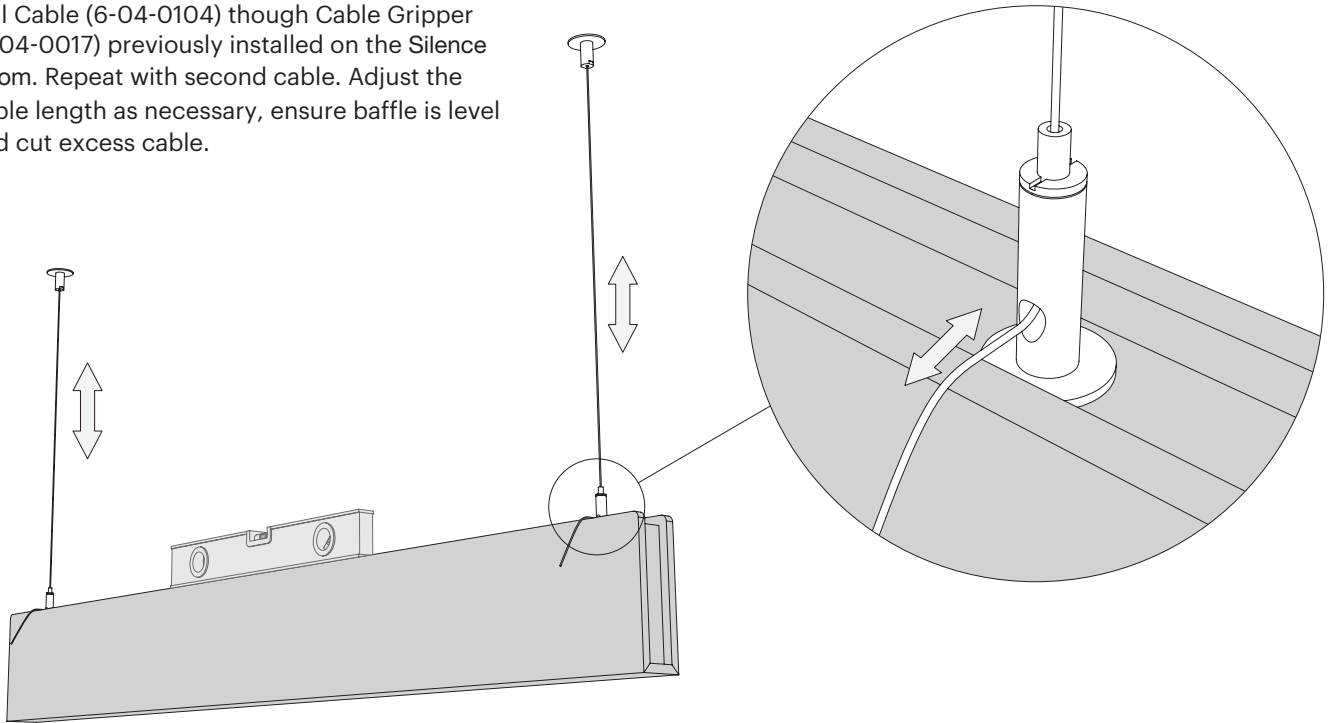
Place Washer (91090A107) onto pre-installed threaded screw on the Silence Boom.  
Screw Cable Gripper (6-04-0017) onto the threaded screw.



## Installation

### 4 Hang the Silence Boom

Pull Cable (6-04-0104) through Cable Gripper (6-04-0017) previously installed on the Silence Boom. Repeat with second cable. Adjust the cable length as necessary, ensure baffle is level and cut excess cable.



## Product Description and Specifications

### Features and Benefits

- Variety of color options
- Noise Reduction Coefficient (NRC) up to 0.70
- Cost-effective decorative feature
- Easy to specify
- Easy to install

### Available Finishes

Silence Boom can be specified in a variety of color options.

See mediatechnologies felt colors at:

<https://www.mediatechnologies.com/resources/finishes>

### Panel Weight

Silence Boom Size	Weight
49.5"×6"	2.5 lbs
49.5"×12"	5 lbs
97.5"×6"	4 lbs
97.5"×12"	8 lbs

### Cleaning Instructions

Silence Boom should be cleaned periodically. A regular, seasonal cleaning program will dramatically help prevent noticeable weathering and dirt build-up.

To remove airborne debris and dust, it is recommended to periodically vacuum Silence Boom.

Please note the slight shedding of fibers from the felt is normal and not indicative of any defect.

To treat liquid stains, remove spills immediately using a clean damp cotton cloth or with detergent soap and warm water. Carpet and fabric cleaners can usually be used; always test an inconspicuous area before the actual stain.

**Do:**

- Vacuum or use a soft brush to clean Silence Boom.

**Do not:**

- Use strong solvents, highly alkaline or abrasive cleaning agents.
- Do not completely saturate module with cleaning solution or water.

### Flammability and Smoke Test Results

- Building Code Approvals

Silence Boom has been independently tested and meet the criteria for approved interior finishes as described in the 2018 International Building Code®.

Test	Sola Felt 3/8"	Result
ASTM E84 Flame Spread Smoke Generated	50 300	Class B: 26-75 <450
CAN/ULC 102.2 Flame Spread Smoke Generated	75 200	See Building Code of Canada

### Acoustic Chart

Octave Band Center Frequency (Hz)	49.5"×6" Silence Boom	49.5"×12" Silence Boom	97.5"×6" Silence Boom	97.5"×12" Silence Boom
125	-0.06	0.68	-0.12	1.4
250	0.28	0.49	0.56	1.0
500	0.27	1.17	0.55	2.3
1000	0.62	1.80	1.24	3.6
2000	0.88	2.11	1.76	4.2
4000	1.38	3.26	2.77	6.5
8000	1.62	3.83	3.24	7.7
Average Sabins (250, 500, 1000, and 2000 Hz)	2.12	4.80	4.24	9.6
Equivalent square feet of ACT (NRC 0.70)	2.59	5.44	5.18	10.9
Apparent NRC (based on 2 sides of the Baffle)	3.19	6.27	6.38	12.5
	3.61	7.34	7.23	14.7
	4.10	8.04	8.21	16.1
	4.65	8.79	9.30	17.6
	5.11	9.30	10.23	18.6
	5.25	9.55	10.50	19.1
	5.29	9.35	10.58	18.7
	5.29	9.18	10.58	18.4
	5.39	9.52	10.78	19.0
	5.53	9.46	11.06	18.9
	5.41	9.41	10.83	18.8
	5.44	9.33	10.87	18.7
Average Sabins (250, 500, 1000, and 2000 Hz)	2.93	5.89	5.86	11.8
Equivalent square feet of ACT (NRC 0.70)	4.19	8.41	8.38	16.8
Apparent NRC (based on 2 sides of the Baffle)	0.70	0.70	0.70	0.70