

## Workspace Installation Guide

### Tools Required:

Drill with #3 Phillips bit

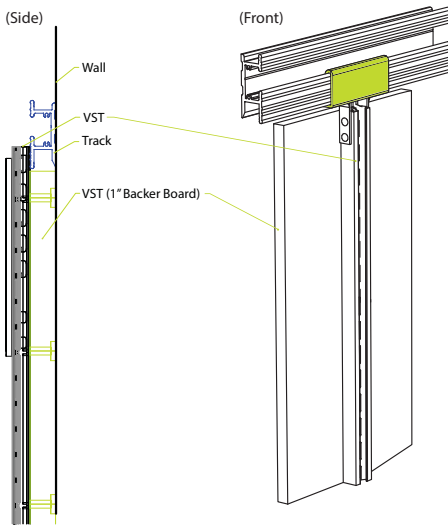
### Hardware Included:

- (2) VST- Vertical Standard Track
- (2) WSA- Work Surface Support Arms
- (4) Self Tapping Wood Screws- #12x1"

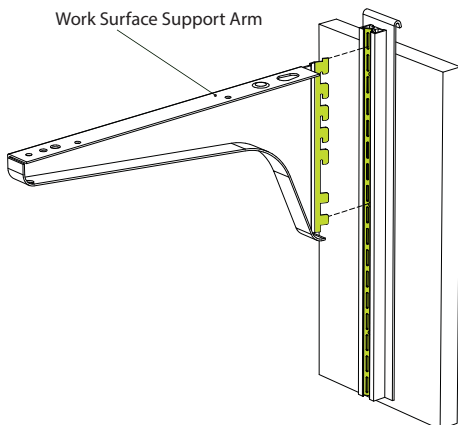
With upper and lower horizontal mounting tracks in place and properly installed, you are ready to "mount" elements work space.

**NOTE:** Standard work space is 48", anything greater requires 3 or more arms.

- 1** Attach the VST to the lower protrusion of the track. Make sure the VST Backer Board is flush to the wall.

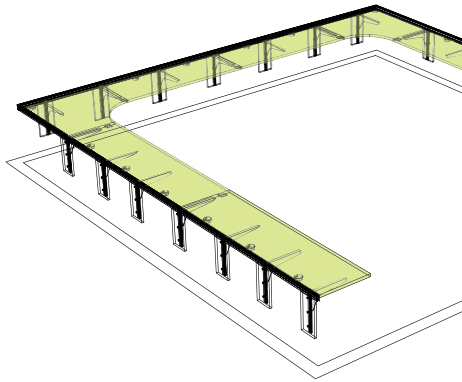


- 2** Attach the support arms to the VST at an angle and with downward force. Make sure that the smooth side of the arms are facing outwards.

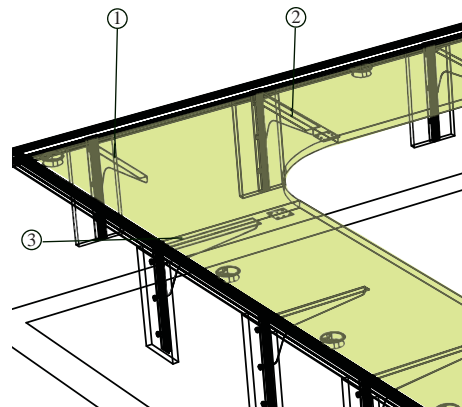


Note: A work surface greater than 48" requires 2 support arms per 1 VST.

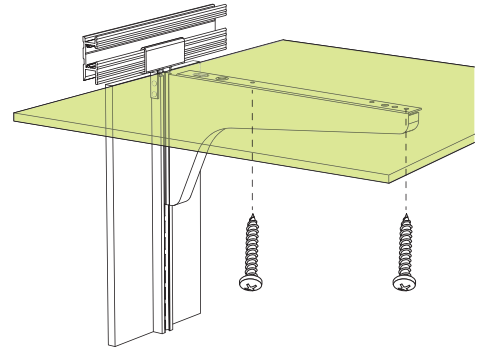
- 3** Carefully place the worksurface on the arms. With pre-required number of arms, relate to standard (48") work space.



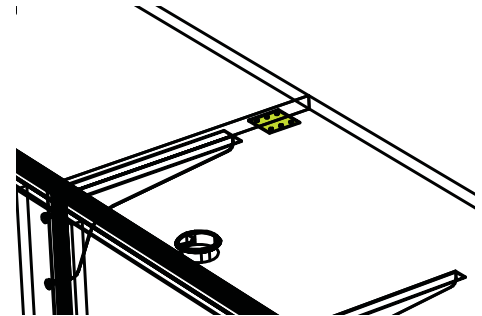
- 4** When dealing with work surface corners, make sure that you use 3 supporting arms, one in the corner, and one on each edge of the worksurface.



- 5** Drill the worksurface to the arms with the self tapping wood screws, placing one in the front hole and one in the back hole.



- 6 Optional:** Mending plates are available. When used, place at the joint of two work surfaces and attach with 6 self tapping wood screws.



### To Remove:

- 1) Remove all self tapping wood screws
- 2) Remove work surface
- 3) Detach VST from the track

**Improper Installment Voids the Warranty.**