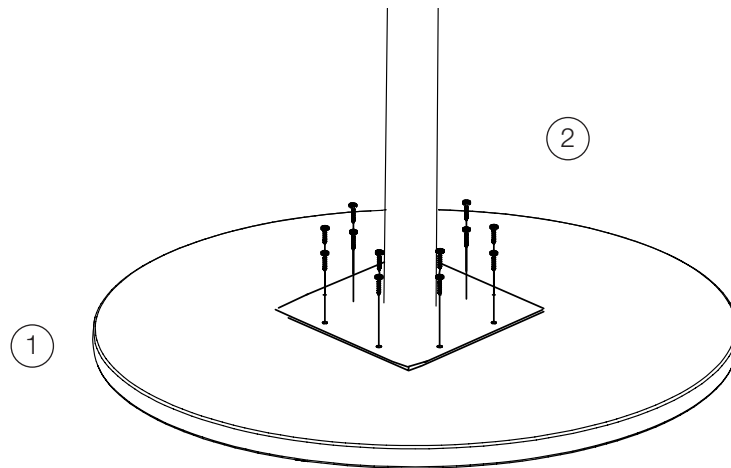


Rally & Stance

T, TT, X & Standard, Folding, Flip Top

Tables



Hardware Included:



#12 x 1
Pan Head Screw

Tools Required:

- #3 Phillips Head Screwdriver

Step 1:

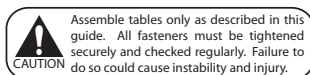
Place the table top upside down on a clean, padded surface.

Step 2:

Center leg assembly on underside of top and attach using #12 x 1" PH Screws (do not over tighten).

* NOTE:

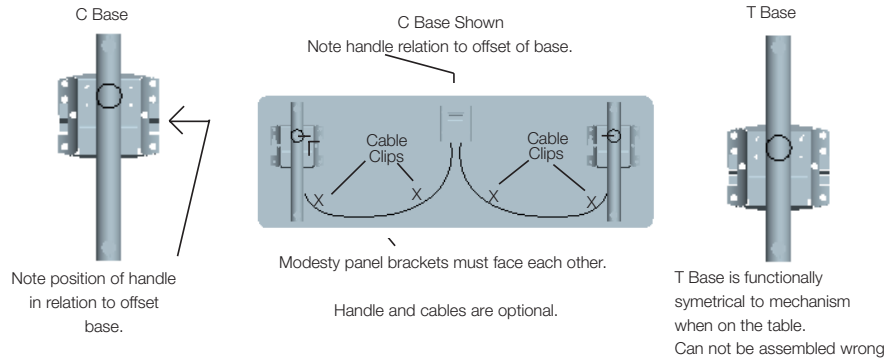
Multiple leg bases attach the same as single leg bases.



Rally, Stance

Folding, Flip Top

Tables



Flip application on welded or pre-assembled bases (handle release option shown).

Assembly:

Step 1: Locate assembly kit provided. Assembly kit includes 5/32 ball end allen wrench extension tool.

Step 2: Set flip-n-fold mechanism on flat surface. See images below for X-base and T-base.

Step 3: Use 5/32 ball end allen wrench extension and battery operated drill to run 4 flat head screws into place. Do not bottom screws out, install all 4 close to bottom before final tightening.

Step 4: Use normal "L" shaped allen wrench to firmly tighten screws. Do not use "T" shaped allen wrench since they twist and do not tighten screws properly.

Attach leg to your table using hardware provided for leg attachment.

Install cable clips when using handle release option.

instructions-milestone-rally-stance-200115

