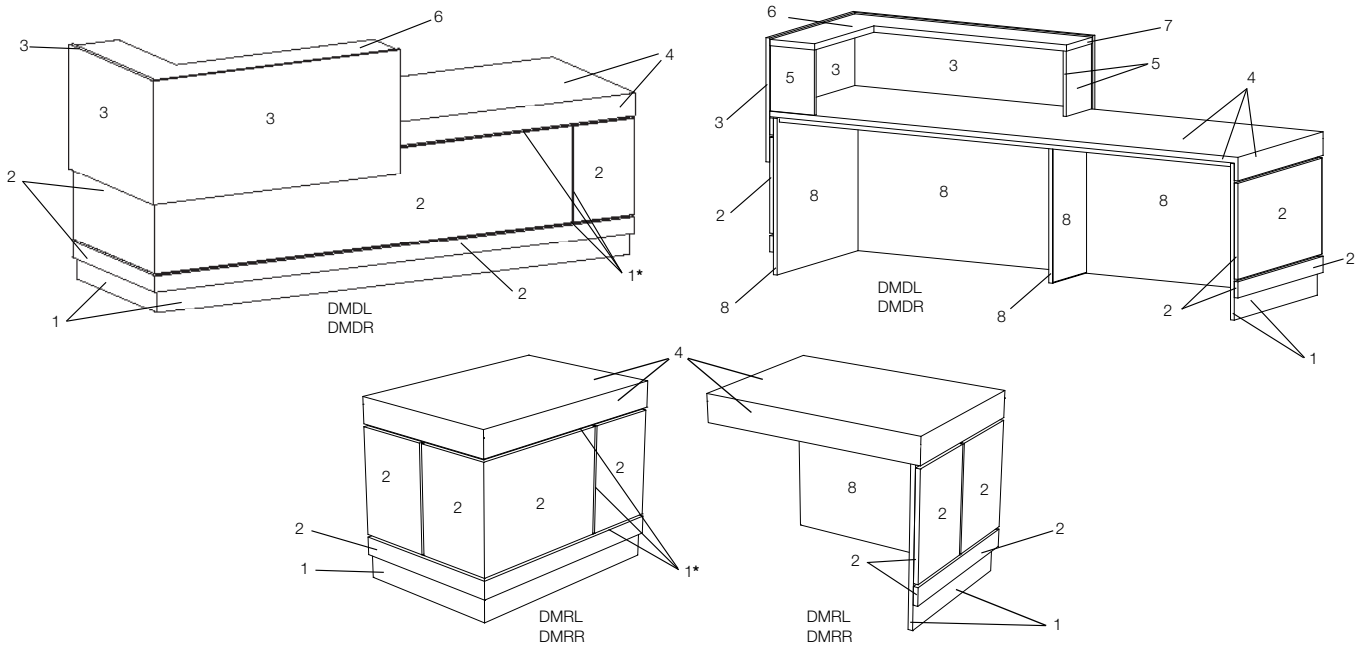


DOMINO FINISH DESIGNATOR



Job:

Model Number:

Finish Schedule:

- 1 Toe Kick & Reveal: HPL:
 *Reveals are to match the Toe Kick VENEER/FINISH: _____
- 2 Overlay Panels: HPL:
 VENEER/FINISH: _____
- 3 Shroud (inside and outside): HPL:
 VENEER/FINISH: _____
- 4 Worksurface HPL: _____
- 5 TRX Support Panels: HPL:
 VENEER/FINISH: _____
- 6 TRX Top HPL: _____
- 7 TRX Edge Wood: _____
- 8 Inside Desk Panels: HPL:
 VENEER/FINISH: _____



Domino-finishdesignator-200601

892 Industrial Park Drive
 Shelby, MI 49455
 P: 231.861.2194 | F: 231.861.6678
 www.mtcontract.com
 sales@mediatechnologies.com

