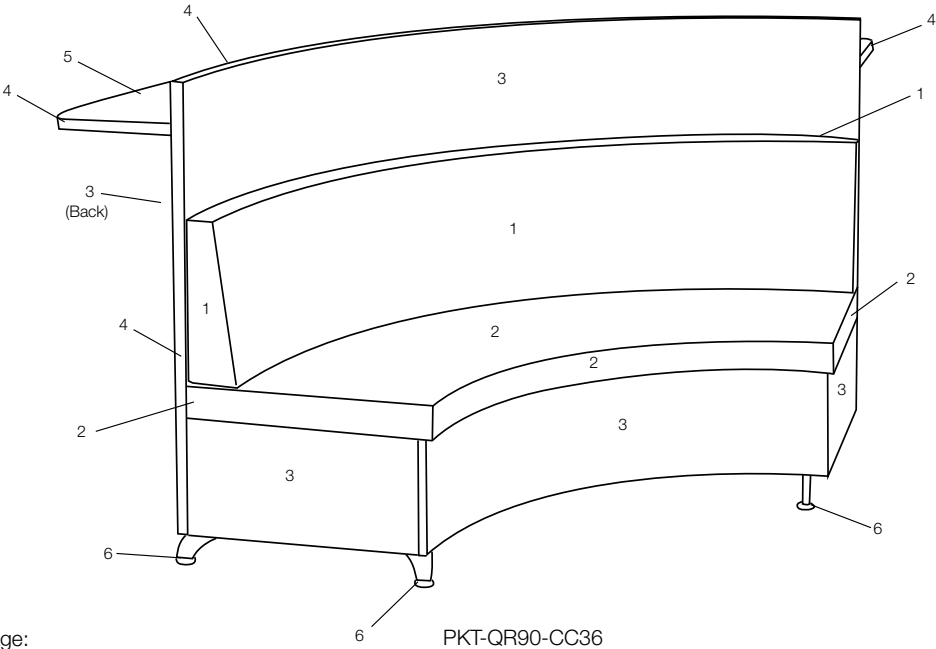


# POCKET CAFE COUNTER FINISH DESIGNATOR

Typical Surface Designations:



\*COM Yardage:

PKT-QR90-CC36 Back 3yd, Seat 3yd  
 PKT-QR90-CC42 Back 3yd, Seat 3yd

PKT-QR90-CC36  
 PKT-QR90-CC42

**Job:**

**Model Number:**

**Finish Schedule:**

- 1 Back Fabric: \_\_\_\_\_
- 2 Seat Fabric: \_\_\_\_\_
- 3 HPL or Veneer Bench Base/Back: \_\_\_\_\_
- 4 PVC or Wood Edge: \_\_\_\_\_
- 5 Work Surface HPL: \_\_\_\_\_
- 6 Leg Powder Coat: \_\_\_\_\_

\*COM yardage is based on single material. For multiple selections divide number of colors by total faces and factor up by 20%.



892 Industrial Park Drive  
 Shelby, MI 49455  
 P: 231.861.2194 | F: 231.861.6678  
 www.mtcontract.com  
 sales@mediatechnologies.com

pocketcafecounter-finishdesignator-190605

