

General Specifications

Frame:

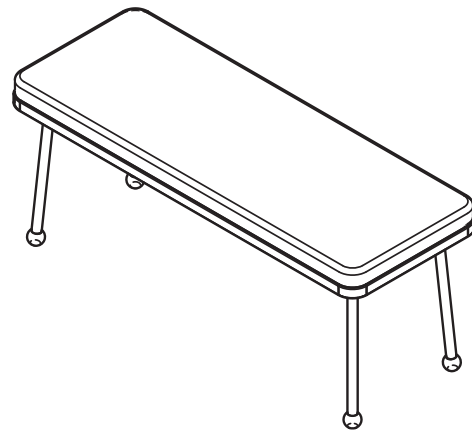
1" diameter, 16-gauge tubular steel legs are fully welded to a ¼" thick steel mounting plate. Mounting plate is attached to the base with 1/4"-20 bolts and threaded inserts. Each leg is fitted with a molded nylon ball (standard) or formal glide option. Formal glides are available in T12 Raven only.

Cushioned Seat

1-1/2" thick high density upholstery foam with a ½" thick backer board attaches to a 1-1/4" thick high pressure laminate core with 3mm PVC edge banding and 2" radiused corners. Cushioned tops are attached with wood screws.

Finish:

See www.mtcontract.com/resources/fabrics for fabric choices and MTCContract's Finish and Color Guide for additional finish choices.



Bola Bench

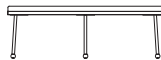
Model Number	Base	Seat	Seat Hgt. (in)	Wgt. (lbs)	COM yd.	List Prices								
						Grade 1 COM	Grade 2	Grade 3	Grade 4	Grade 5	Grade 6	Grade 7	Grade 8	Grade 9
BOLB-C2048C	Post	Uph	20	61	1 2/3	\$1,502	\$1,539	\$1,576	\$1,614	\$1,652	\$1,691	\$1,727	\$1,765	\$1,804
BOLB-C2060C	Post	Uph	20	68	2	\$1,565	\$1,603	\$1,639	\$1,676	\$1,715	\$1,754	\$1,790	\$1,829	\$1,866

Set Up Charges and Upcharges for Non-Standard and Custom Finishes

Model Number	Description	List Price
Group 2 Powder Coat	Set up charge, per color, per order, for Group 2 Powder Coat	\$329
Non-Standard PVC	Upcharge, per color, per order, for non-standard PVC	\$911



BOLB-C2048C
48" Wide



BOLB-C2060C
60" Wide

Required to order:

- Model # including:
- Fabric selection
- PVC selection
- powder coat color
- glide style and color (if applicable)

***Note:**

All Ball Glides same color \$0
 Multiple Color Ball Glides \$38
 Formal Glides are T12 Raven (Black) only

Ball Glide Color Options

- T11 swan
- T12 raven
- T13 blue heron
- T14 jay
- T15 falcon
- T16 dove
- T17 woodpecker red
- T18 purple martin
- T19 peacock
- T20 macaw blue
- T21 goldfinch
- T22 parakeet
- T23 oriole
- T24 cardinal
- T25 flamingo
- T29 Hummingbird