

Sound Mosaic

# SimpleSpec 300.43™

Installation Manual



*Sound Mosaic*  
**SimpleSpec 300.43™**

**Installation Manual**

**Table of Contents**

**1 System Overview**

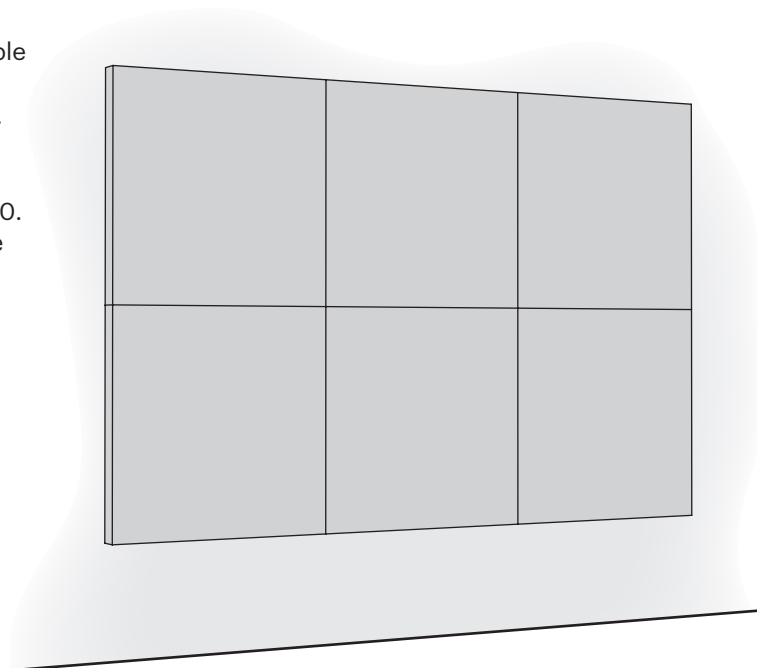
- 1 Overview
- 1 Available Size and Shapes
- 2 Idea Starting Configurations

**3 Installation**

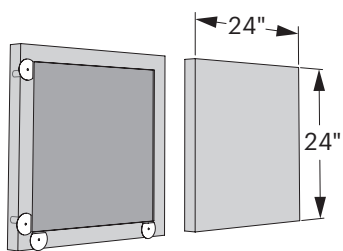
**10 Product Description and Specifications**

### Overview

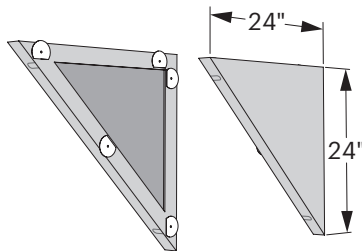
Create a private space, contain sound, and build a more comfortable environment with this absorptive, wall mounted, modular tile system. Sound Mosaic is a series of lightweight tiles made from Sola Felt and boasts an NRC rating of .80. Use Sound Mosaic to create unique features that will leave a lasting impression.



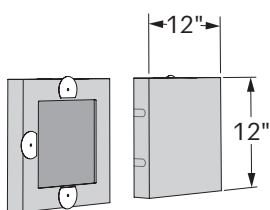
### Available Sizes and Shapes



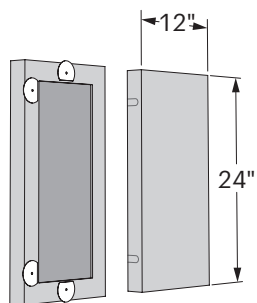
Sound Mosaic 2'x2'



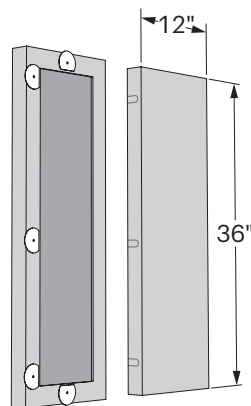
Sound Mosaic Triangle 2'x2'



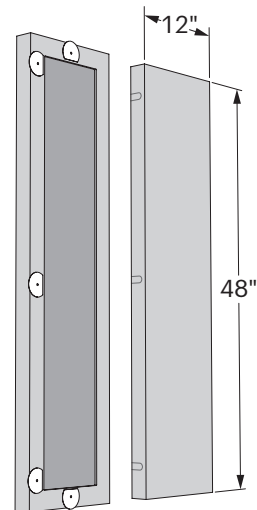
Sound Mosaic 1'x1'



Sound Mosaic 1'x2'

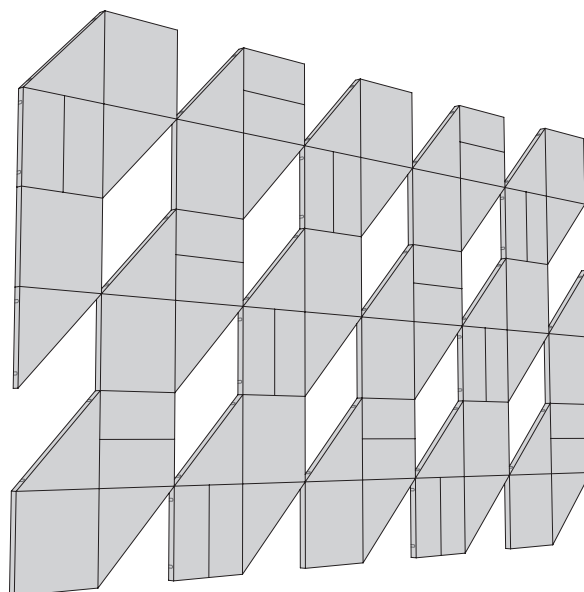
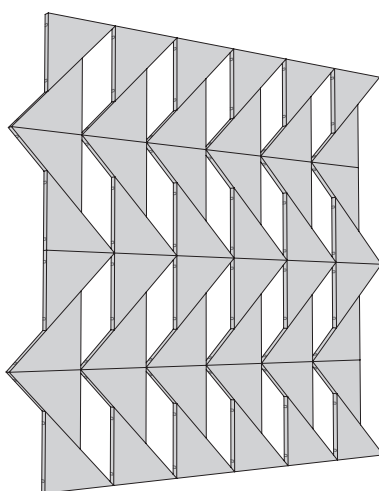
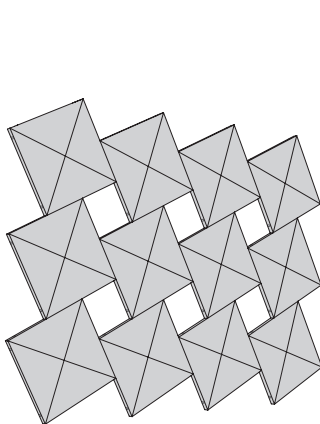
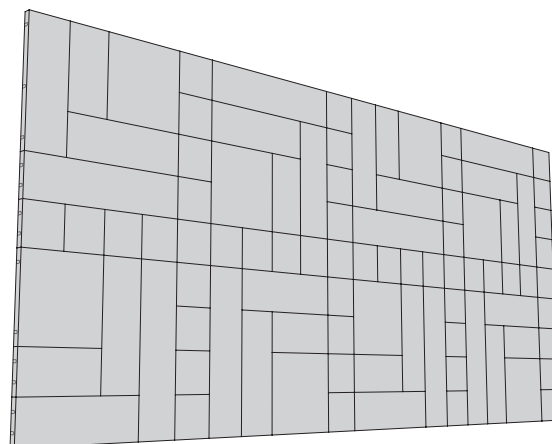
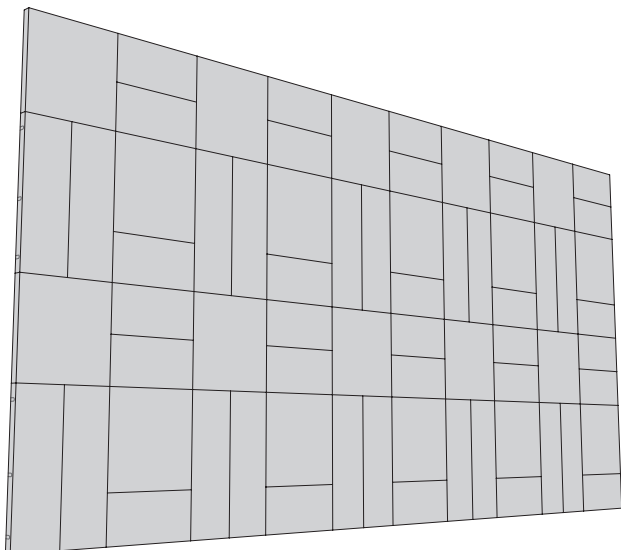
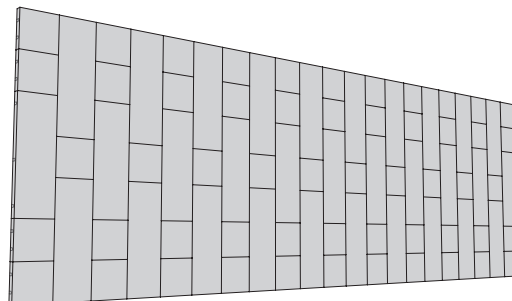
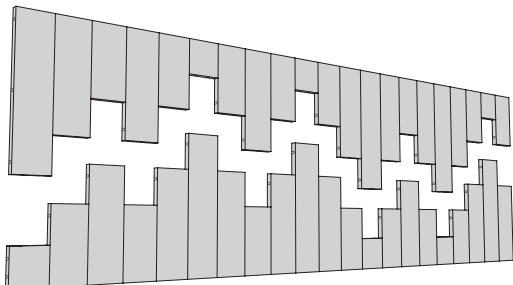


Sound Mosaic 1'x3'



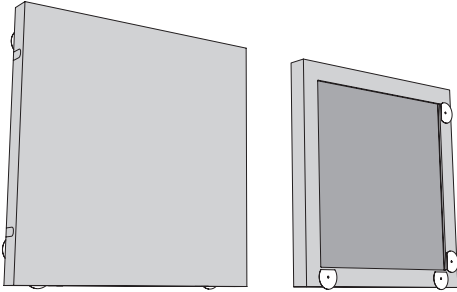
Sound Mosaic 1'x4'

### Idea-Starting Sound Mosaic Configurations



## Installation

### Contents Overview



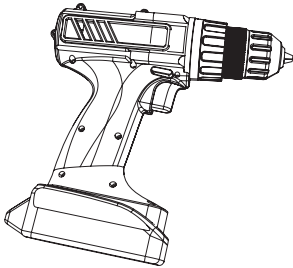
Sound Mosaic

(Number, size and shape according to configuration)

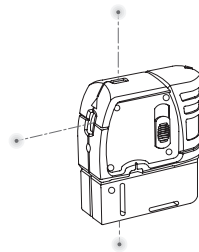


1 5/8" Drywall Screw  
3-85-110

### Required Tools



Drill



Laser Level



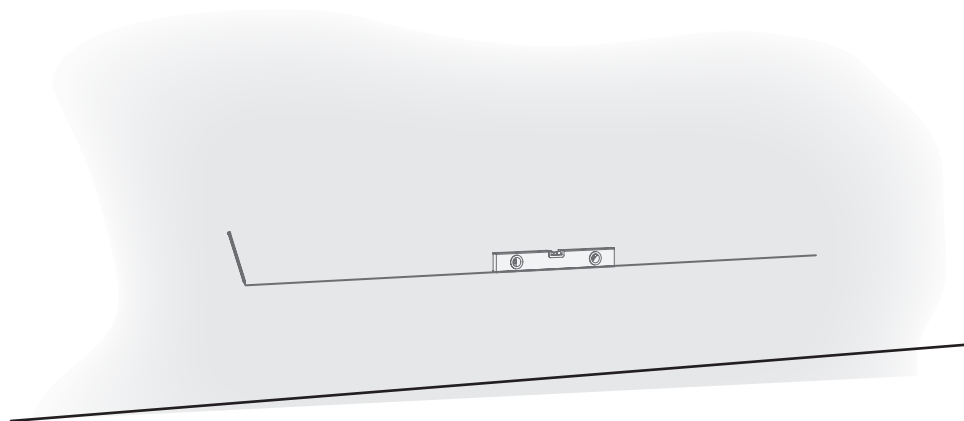
Pencil



PH2 Bit

## 1 Preparation

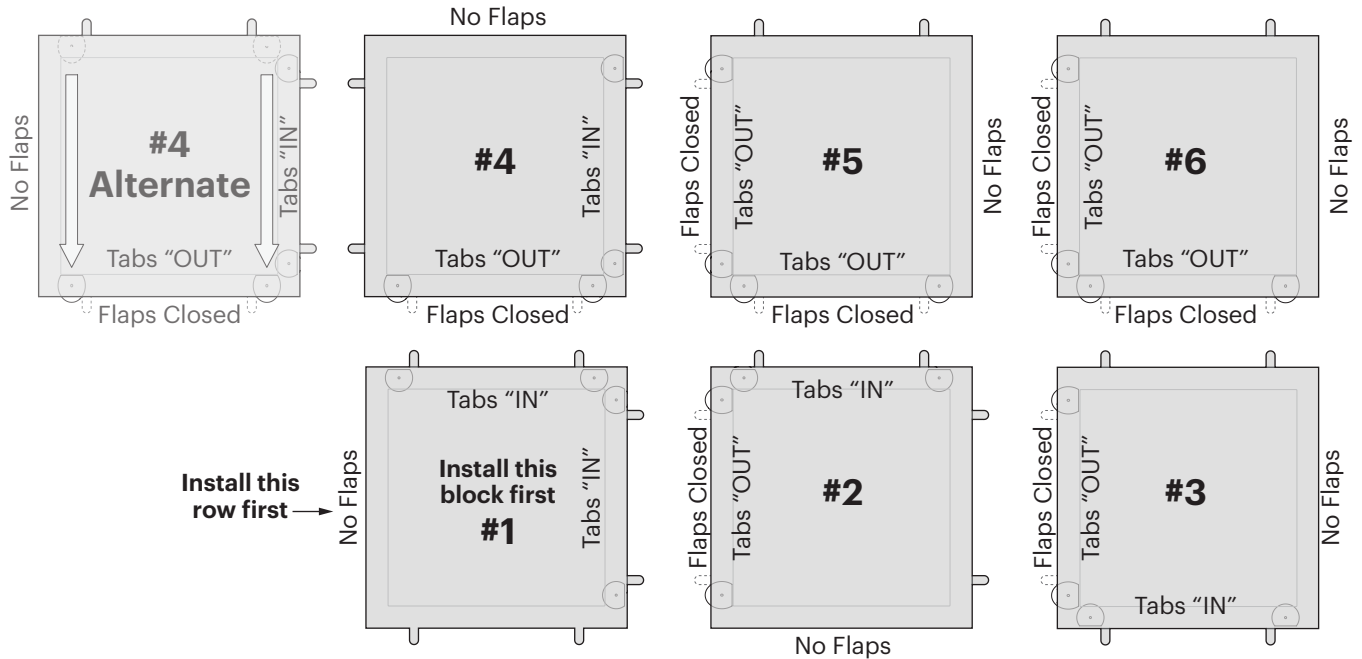
- a** Determine placement of **Sound Mosaic** feature. Mark a level bottom line on the wall.



### Installation

#### 1 Preparation cont. . .

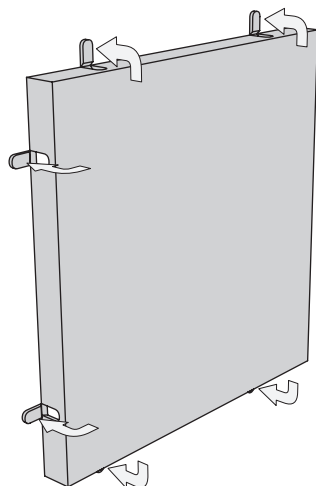
**b** reference this diagram as you prepare the Sound Mosaic for installation. Install starting at the bottom left corner (#1), installing the first row of blocks, then install additional rows starting from the left side.



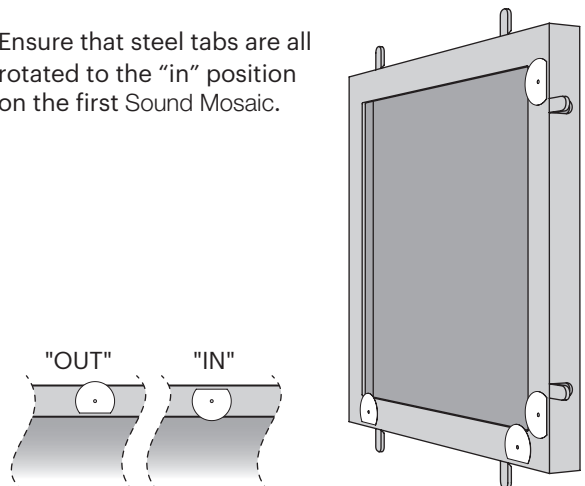
*Note: If it is visually important to have no flaps showing on the sides of the system, rotate the first block on rows 2+ and relocate the steel stabs to the bottom (See #4 Alternate below).*

#### 2 Install First Sound Mosaic

**a** Open the felt flaps on all (3) sides of the first Sound Mosaic.



**b** Ensure that steel tabs are all rotated to the "in" position on the first Sound Mosaic.



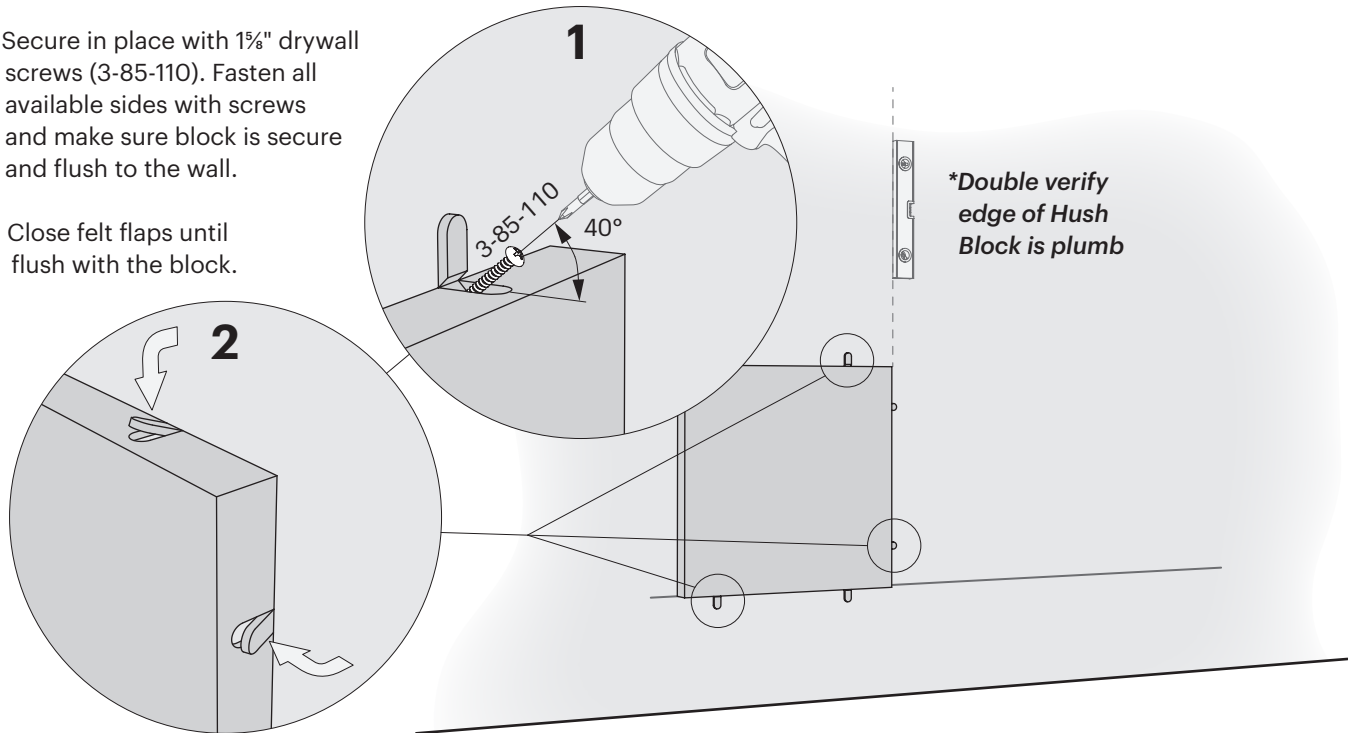
### Installation

## 2 Install First Sound Mosaic *cont.* . .

**C** Starting at the bottom left corner, position the block so the side without felt flaps is on the visible outside edge of the feature and the bottom of the block is even with the line drawn on the wall.

**1** Secure in place with 1½" drywall screws (3-85-110). Fasten all available sides with screws and make sure block is secure and flush to the wall.

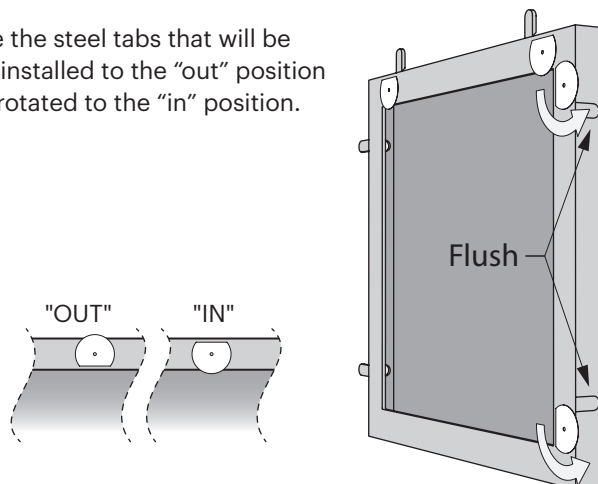
**2** Close felt flaps until flush with the block.



## 3 Install Bottom Row of Sound Mosaics

**a** To install the next block, rotate the steel tabs that will be adjacent to the first block you installed to the "out" position and ensure the other tabs are rotated to the "in" position.

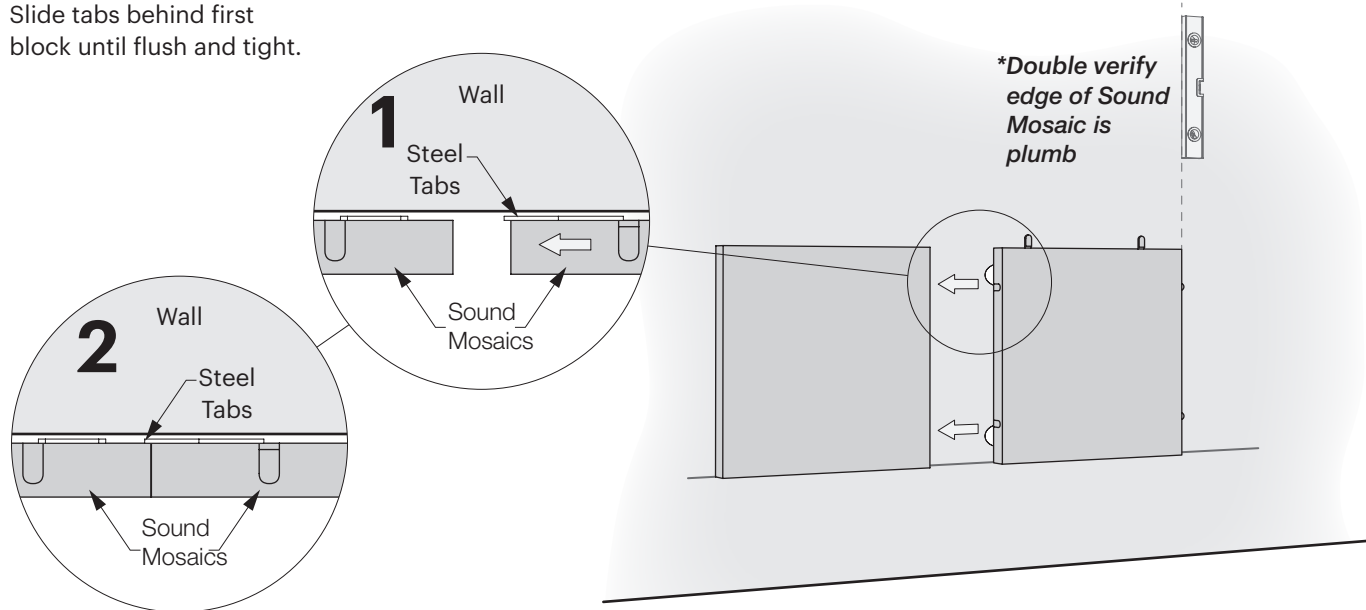
On the side where the steel tabs are "out", the felt flaps should be closed/flush. On the other sides the felt flaps should be open.



### Installation

#### 3 Install Bottom Row of Sound Mosaics *cont...*

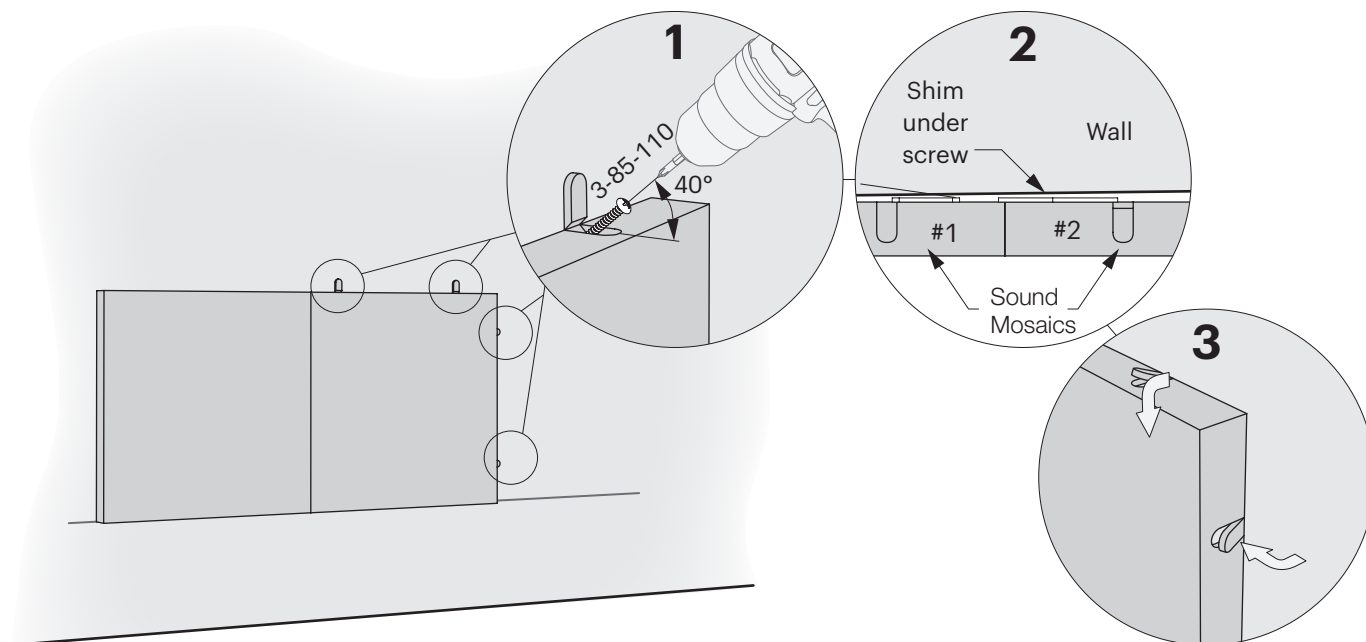
- b** Slide tabs behind first block until flush and tight.



- c 1** Proceed to install drywall screws into all available openings.

- 2** Shim if necessary to make sure front faces of blocks are flush.

- 3** Close felt flaps until flush with the block.





### Installation

#### 3 Install Bottom Row of Sound Mosaics *cont...*

- d** Repeat the same process for additional blocks on the bottom row.

For best aesthetic appearance ensure the side without felt flaps is on the visible outside edge whenever possible. See diagram in Step 1.

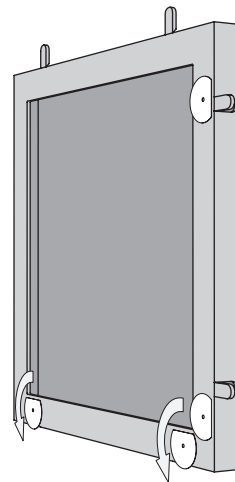
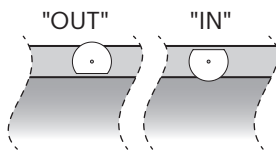
*Note: Important to check level and plumb with each new column. It is very easy for blocks to get out of alignment.*

---

#### 4 Install Remaining Sound Mosaics

- a** Rotate the steel tabs on the bottom to the "out" position and ensure the other tabs are rotated to the "in" position.

On the bottom the felt flaps should be closed/flush. On the other sides the felt flaps should be open.

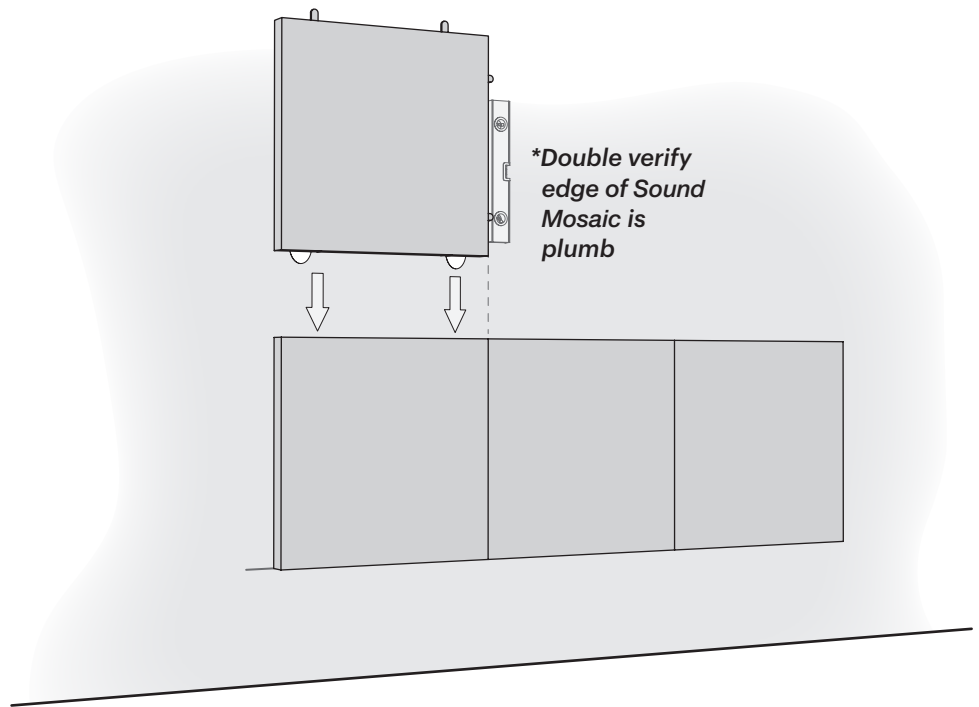
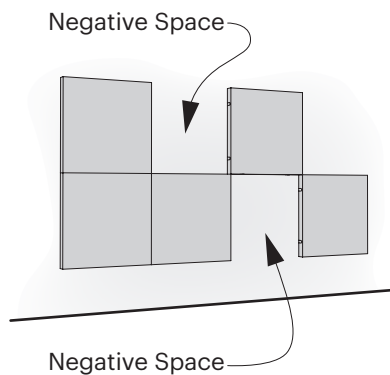


### Installation

#### 4 Install Remaining Sound Mosaics cont...

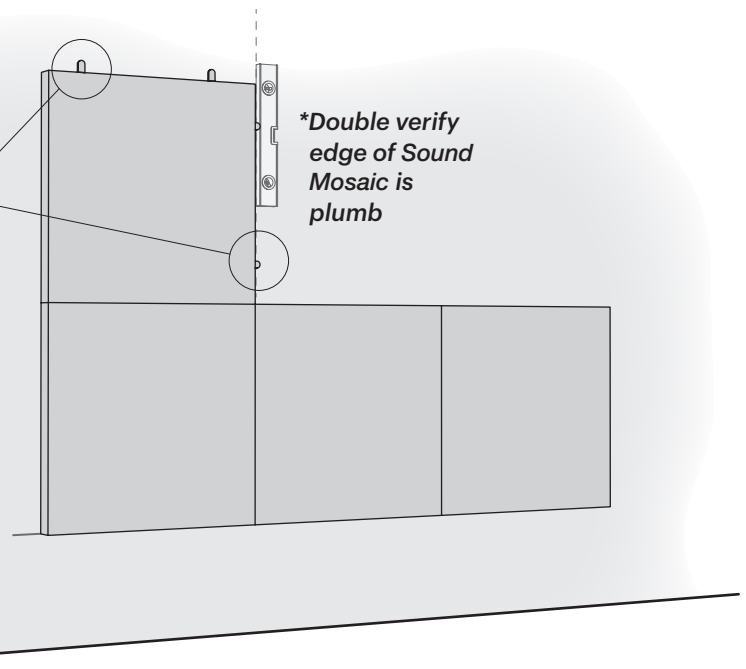
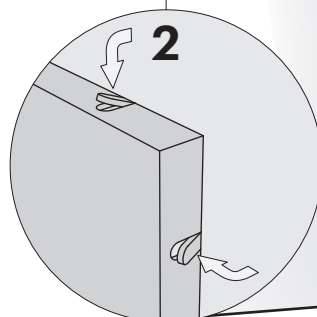
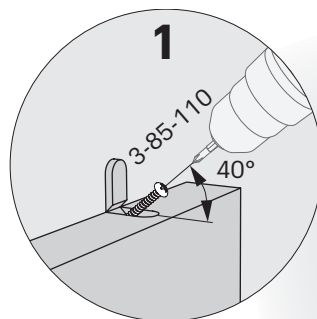
- b** Start from the left side. Install the first block on the second row (and subsequent rows) by sliding the tabs behind first block (on bottom row) until flush and tight.

*Note: If there is negative space in the design, repeat Step 2*



- C 1** Proceed to install drywall screws into all available openings.

- 2** Close felt flaps until flush with the block.



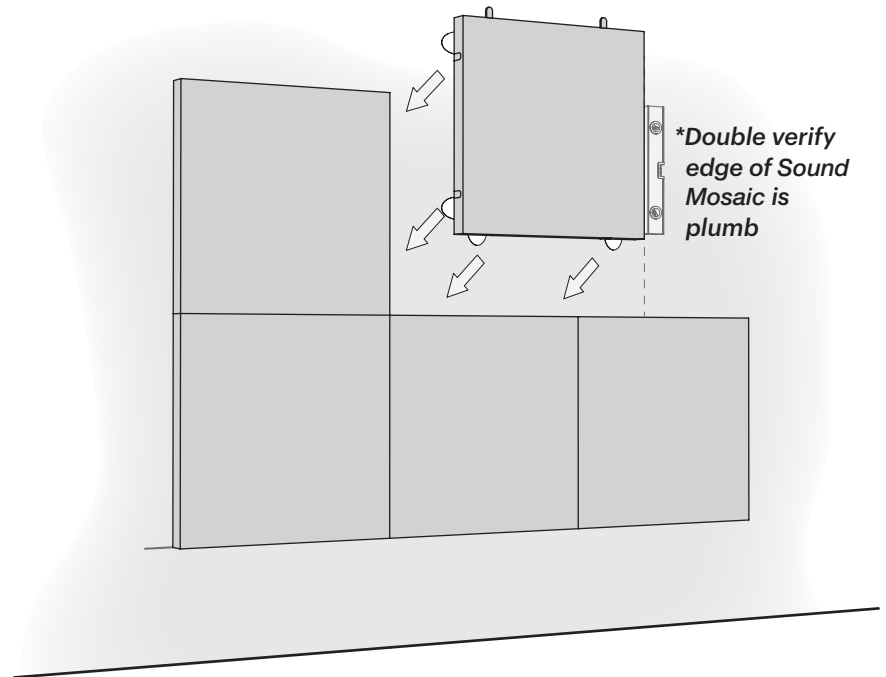
### Installation

#### 4 Install Remaining Sound Mosaics *cont...*

- d** Continuing toward the right side, install the next block.

Rotate all the steel tabs to the “out” position. On the side where the steel tabs are “out”, the felt flaps should be closed/flush. On the other sides the felt flaps should be open.

Slide tabs behind both adjacent blocks until flush and tight.

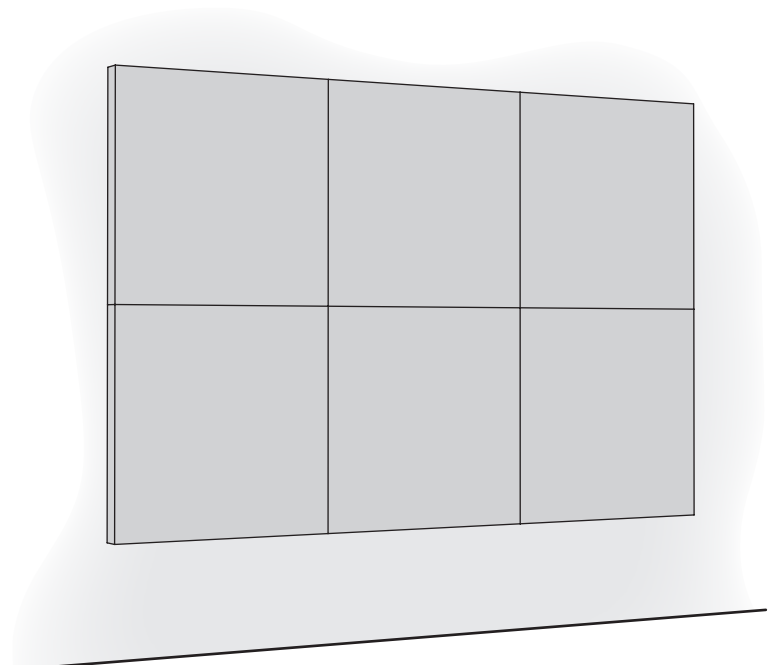


- e** **1** Proceed to install drywall screws into all available openings as shown in Step 4c.
- 2** Close felt flaps until flush with the block as shown in Step 4c.

- f** Repeat the same process for additional blocks and additional rows until the entire feature is installed.

For best aesthetic appearance ensure the side without felt flaps is on the visible outside edge whenever possible.

#### g



### Product Description and Specifications

Create a private space, contain sound, and build a more comfortable environment with this absorptive, modular tile system. Sound Mosaic is a series of lightweight 24"x24" tiles made from Sola Felt and boasts an NRC rating of .80. Use Sound Mosaic to create unique features that will leave a lasting impression.

#### Features and Benefits

- Variety of color options
- Noise Reduction Coefficient (NRC) of 0.80
- Cost-effective decorative feature
- Easy to specify
- Easy to install

#### Panel Sizes and Tolerances

Sound Mosaics are offered in various sizes. All dimensions and squareness are subject to a 2% tolerance.

#### Available Finishes

Sound Mosaics can be specified in a variety of color options. See mediatechnologies' felt colors at: [www.mediatechnologies.com/resources/finishes](http://www.mediatechnologies.com/resources/finishes)

#### Flammability and Smoke Test Results

- Building Code Approvals

Sound Mosaics have been independently tested and meet the criteria for approved interior finishes as described in the 2015 International Building Code®.

Material	Test - ASTM E84	Sound Mosaics	Result
Felt	Flame Spread Smoke Generated	10 105	Class A: 0-25 <450

#### Panel Weight

Material	Thickness	Weight Flux
Felt	¼" (6.3mm)	0.3 lb/ft² (1.46 kg/m²)

#### Sound Absorption Test Results

Material	Test - ASTM C 423	Result
Felt	Noise Reduction Coefficient	0.80
Felt	Alpha - W	0.65 MH

#### Cleaning Instructions

Sound Mosaics should be cleaned periodically. A regular, seasonal cleaning program will dramatically help prevent noticeable weathering and dirt build-up.

To remove airborne debris and dust, it is recommended to periodically vacuum Sound Mosaics. Please note the slight shedding of fibers from the felt is normal and not indicative of any defect.

To treat liquid stains, remove spills immediately using a clean damp cotton cloth or with detergent soap and warm water. Carpet and fabric cleaners can usually be used; always test an inconspicuous area before the actual stain.

##### Do:

- Vacuum or use a soft brush to clean Sound Mosaics

##### Do not:

- Use strong solvents, highly alkaline or abrasive cleaning agents.
- Do not completely saturate module with cleaning solution or water.