

General Specifications

Seat and back: Seat and back are constructed of polypropylene, Beech wood ply with veneer finish, or are fully upholstered. Seat and back materials are interchangeable to create a variety of finish options. Upholstered seats and backs are over ½" foam.

Steel Frame: The die-cast aluminum seat structure or "chassis," which holds the chair together, unifies the independent and interchangeable elements of the seat, backrest and base and is available in many configurations including task swivel, four leg, sled and stool.

Four Leg Chairs: Four Leg chairs are constructed of 7/8" x 14 gauge steel tubing and stack 4 high. Legs are fitted with non-marring glides.

Sled Base: Sled base chairs are constructed of 1" diameter, 11 gauge steel tubing.

Task Chairs: Task chairs and stools height adjusts 4.5" and is equipped with 2" HR black casters.

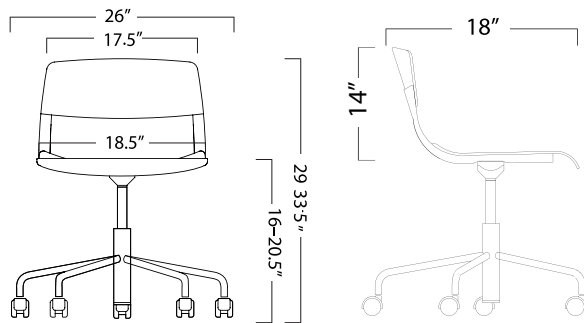
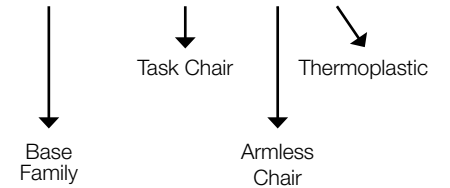
Arm Caps: Arm caps are constructed of polypropylene and are black unless specified otherwise. Arm caps can be specified in a variety of color options, if preferred.

Meets or exceeds ANSI/BIFMA

See mediatechnologies fabric and finish options at mediatechnologies.com/resources/fabrics and mediatechnologies.com/resources/finishes.

Model Number Breakdown:

[ARC]-[G55D][43][P]

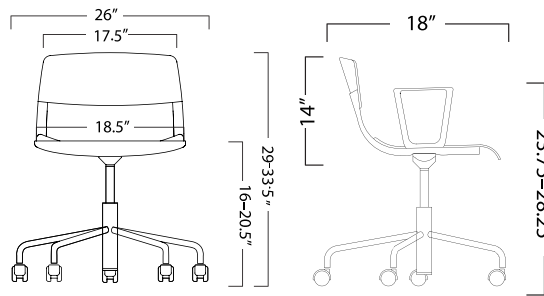


Shipping Information
Set up
9.24 cu. ft.

Material Quick Identifier

- Back Wood Ply Shell/Seat Wood Ply Shell
- Back Thermoplastic Shell/Seat Thermoplastic Shell
- Back Upholstered Shell/Seat Upholstered Shell
- Back Wood Ply Shell/Seat Upholstered Shell
- Back Thermoplastic Shell/Seat Upholstered Shell

Arc Task Chair, Mid Back, Swivel, Armless																					
Model Number	Back Material	Seat Material	O.A. Width"	O.A. Height"	Arm Height"	Seat Depth"	Seat Width"	Seat Height"	Back Width"	Back Height"	COM Ydg	Wood/Plastic	Grade 1 COM	Grade 2	Grade 3	Grade 4	Grade 5	Grade 6	Grade 7	Grade 8	Grade 9
●● ARC-G55D43W	Wood Ply	Wood Ply	26	29-33-1/2	N/A	18	18-1/2	16-20-1/2	17-1/2	14"	N/A	\$1,150	Wood Ply Shell								
○○ ARC-G55D43P	Thermoplastic	Thermoplastic	26	29-33-1/2	N/A	18	18-1/2	16-20-1/2	17-1/2	14"	N/A	\$754	Thermoplastic Shell								
○○ ARC-G55D43-	Upholstered	Upholstered	26	29-33-1/2	N/A	18	18-1/2	16-20-1/2	17-1/2	14"	1.2	N/A	\$1,030	\$1,091	\$1,150	\$1,211	\$1,271	\$1,331	\$1,392	\$1,457	\$1,524
●○ ARC-G55D43DW-	Wood Ply	Upholstered	26	29-33-1/2	N/A	18	18-1/2	16-20-1/2	17-1/2	14"	0.6	N/A	\$1,090	\$1,120	\$1,150	\$1,182	\$1,210	\$1,240	\$1,272	\$1,303	\$1,337
○○ ARC-G55D43DP-	Thermoplastic	Upholstered	26	29-33-1/2	N/A	18	18-1/2	16-20-1/2	17-1/2	14"	0.6	N/A	\$893	\$923	\$952	\$984	\$1,013	\$1,043	\$1,073	\$1,106	\$1,139

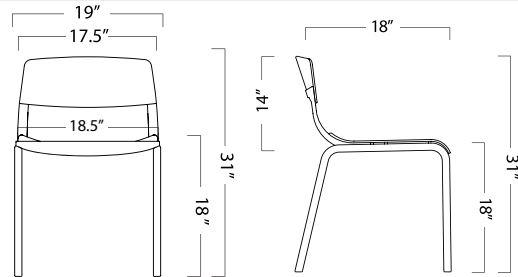


Shipping Information
Set up
9.24 cu. ft.

Material Quick Identifier

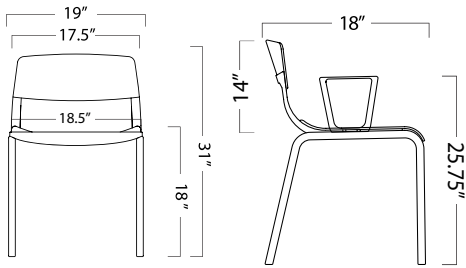
- Back Wood Ply Shell/Seat Wood Ply Shell
- Back Thermoplastic Shell/Seat Thermoplastic Shell
- Back Upholstered Shell/Seat Upholstered Shell
- Back Wood Ply Shell/Seat Upholstered Shell
- Back Thermoplastic Shell/Seat Upholstered Shell

Arc Task Chair, Mid Back, Swivel, Loop Arm																					
Model Number	Back Material	Seat Material	O.A. Width"	O.A. Height"	Arm Height"	Seat Depth"	Seat Width"	Seat Height"	Back Width"	Back Height"	COM Ydg	Wood/ Plastic	Grade 1 COM	Grade 2	Grade 3	Grade 4	Grade 5	Grade 6	Grade 7	Grade 8	Grade 9
●● ARC-G55D42W	Wood Ply	Wood Ply	26	29-33-1/2	23-3/4-28-1/4	18	18-1/2	16-20-1/2	17-1/2	14"	N/A	\$1,319	Wood Ply Shell								
○○ ARC-G55D42P	Thermoplastic	Thermoplastic	26	29-33-1/2	23-3/4-28-1/4	18	18-1/2	16-20-1/2	17-1/2	14"	N/A	\$924	Thermoplastic Shell								
○○ ARC-G55D42-	Upholstered	Upholstered	26	29-33-1/2	23-3/4-28-1/4	18	18-1/2	16-20-1/2	17-1/2	14"	1.2	N/A	\$1,199	\$1,258	\$1,319	\$1,374	\$1,439	\$1,499	\$1,562	\$1,702	\$1,772
●○ ARC-G55D42DW-	Wood Ply	Upholstered	26	29-33-1/2	23-3/4-28-1/4	18	18-1/2	16-20-1/2	17-1/2	14"	0.6	N/A	\$1,258	\$1,291	\$1,319	\$1,347	\$1,380	\$1,409	\$1,440	\$1,511	\$1,547
○○ ARC-G55D42DP-	Thermoplastic	Upholstered	26	29-33-1/2	23-3/4-28-1/4	18	18-1/2	16-20-1/2	17-1/2	14"	0.6	N/A	\$1,062	\$1,092	\$1,122	\$1,150	\$1,183	\$1,211	\$1,245	\$1,314	\$1,348



Shipping Information
Set up
6.24 cu. ft.

Arc, Mid Back, 4 Leg, Armless																					
Model Number	Back Material	Seat Material	O.A. Width"	O.A. Height"	Arm Height"	Seat Depth"	Seat Width"	Seat Height"	Back Width"	Back Height"	COM Ydg	Wood/ Plastic	Grade 1 COM	Grade 2	Grade 3	Grade 4	Grade 5	Grade 6	Grade 7	Grade 8	Grade 9
●● ARC-N55F43W	Wood Ply	Wood Ply	19	31	N/A	18	18-1/2	18	17-1/2	14"	N/A	\$902	Wood Ply Shell								
○○ ARC-N55F43P	Thermoplastic	Thermoplastic	19	31	N/A	18	18-1/2	18	17-1/2	14"	N/A	\$499	Thermoplastic Shell								
○○ ARC-N55F43-	Upholstered	Upholstered	19	31	N/A	18	18-1/2	18	17-1/2	14"	1.2	N/A	\$783	\$839	\$902	\$960	\$1,020	\$1,080	\$1,142	\$1,206	\$1,274
●○ ARC-N55F43DW-	Wood Ply	Upholstered	19	31	N/A	18	18-1/2	18	17-1/2	14"	0.6	N/A	\$840	\$872	\$902	\$931	\$963	\$992	\$1,023	\$1,055	\$1,089
○○ ARC-N55F43DP-	Thermoplastic	Upholstered	19	31	N/A	18	18-1/2	18	17-1/2	14"	0.6	N/A	\$640	\$670	\$700	\$730	\$762	\$790	\$820	\$853	\$887

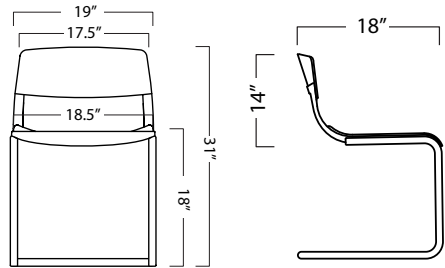


Shipping Information
Set up
6.24 cu. ft.

Material Quick Identifier

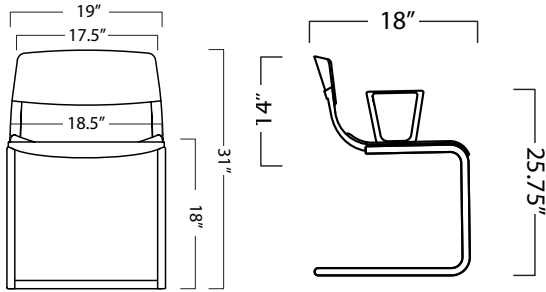
- Back Wood Ply Shell/Seat Wood Ply Shell
- Back Thermoplastic Shell/Seat Thermoplastic Shell
- Back Upholstered Shell/Seat Upholstered Shell
- Back Wood Ply Shell/Seat Upholstered Shell
- Back Thermoplastic Shell/Seat Upholstered Shell

Arc, Mid Back, 4 Leg, Loop Arm																					
Model Number	Back Material	Seat Material	O.A. Width"	O.A. Height"	Arm Height"	Seat Depth"	Seat Width"	Seat Height"	Back Width"	Back Height"	COM Ydg	Wood/Plastic	Grade 1 COM	Grade 2	Grade 3	Grade 4	Grade 5	Grade 6	Grade 7	Grade 8	Grade 9
●● ARC-N55F42W	Wood Ply	Wood Ply	19	31	25-3/4	18	18-1/2	18	17-1/2	14"	N/A	\$1,063	Wood Ply Shell								
○○ ARC-N55F42P	Thermoplastic	Thermoplastic	19	31	25-3/4	18	18-1/2	18	17-1/2	14"	N/A	\$660	Thermoplastic Shell								
○○ ARC-N55F42-	Upholstered	Upholstered	19	31	25-3/4	18	18-1/2	18	17-1/2	14"	1.2	N/A	\$943	\$1,002	\$1,063	\$1,120	\$1,183	\$1,240	\$1,302	\$1,366	\$1,435
●○ ARC-N55F42DW	Wood Ply	Upholstered	19	31	25-3/4	18	18-1/2	18	17-1/2	14"	0.6	N/A	\$1,003	\$1,032	\$1,063	\$1,092	\$1,124	\$1,152	\$1,184	\$1,214	\$1,250
○○ ARC-N55F42DP	Thermoplastic	Upholstered	19	31	25-3/4	18	18-1/2	18	17-1/2	14"	0.6	N/A	\$803	\$831	\$860	\$892	\$922	\$951	\$982	\$1,014	\$1,048



Shipping Information
Set up
6.24 cu. ft.

Arc, Mid Back, 4 Leg, Stacker, Armless																					
Model Number	Back Material	Seat Material	O.A. Width"	O.A. Height"	Arm Height"	Seat Depth"	Seat Width"	Seat Height"	Back Width"	Back Height"	COM Ydg	Wood/Plastic	Grade 1 COM	Grade 2	Grade 3	Grade 4	Grade 5	Grade 6	Grade 7	Grade 8	Grade 9
●● ARC-N55F43WST	Wood Ply	Wood Ply	19	31	N/A	18	18-1/2	18	17-1/2	14"	N/A	\$902	Wood Ply Shell								
○○ ARC-N55F43PST	Thermoplastic	Thermoplastic	19	31	N/A	18	18-1/2	18	17-1/2	14"	N/A	\$499	Thermoplastic Shell								
○○ ARC-N55F43ST-	Upholstered	Upholstered	19	31	N/A	18	18-1/2	18	17-1/2	14"	1.2	N/A	\$783	\$839	\$902	\$960	\$1,020	\$1,080	\$1,142	\$1,206	\$1,274
●○ ARC-N55F-43DWST	Wood Ply	Upholstered	19	31	N/A	18	18-1/2	18	17-1/2	14"	0.6	N/A	\$840	\$872	\$902	\$931	\$963	\$992	\$1,023	\$1,055	\$1,089
○○ ARC-N55F43DPST	Thermoplastic	Upholstered	19	31	N/A	18	18-1/2	18	17-1/2	14"	0.6	N/A	\$640	\$670	\$700	\$730	\$762	\$790	\$820	\$853	\$887

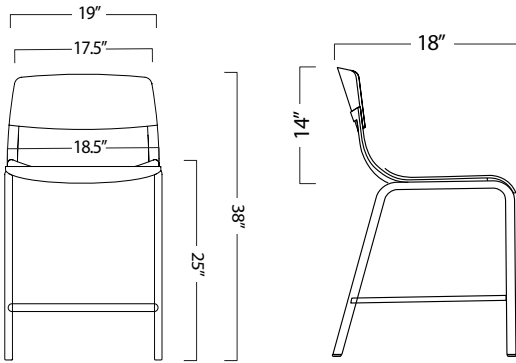


Shipping Information
Set up
6.24 cu. ft.

Material Quick Identifier

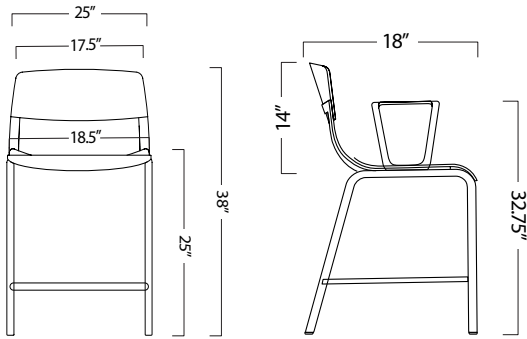
- Back Wood Ply Shell/Seat Wood Ply Shell
- Back Thermoplastic Shell/Seat Thermoplastic Shell
- Back Upholstered Shell/Seat Upholstered Shell
- Back Wood Ply Shell/Seat Upholstered Shell
- Back Thermoplastic Shell/Seat Upholstered Shell

Arc, Mid Back, 4 Leg, Stacker, Loop Arm																					
Model Number	Back Material	Seat Material	O.A. Width"	O.A. Height"	Arm Height"	Seat Depth"	Seat Width"	Seat Height"	Back Width"	Back Height"	COM Ydg	Wood/Plastic	Grade 1 COM	Grade 2	Grade 3	Grade 4	Grade 5	Grade 6	Grade 7	Grade 8	Grade 9
●● ARC-N55F42WST	Wood Ply	Wood Ply	19	31	25-3/4	18	18-1/2	18	17-1/2	14"	N/A	\$1,108	Wood Ply Shell								
○○ ARC-N55F42PST	Thermoplastic	Thermoplastic	19	31	25-3/4	18	18-1/2	18	17-1/2	14"	N/A	\$734	Thermoplastic Shell								
○○ ARC-N55F42ST-	Upholstered	Upholstered	19	31	25-3/4	18	18-1/2	18	17-1/2	14"	1.2	N/A	\$983	\$1,044	\$1,108	\$1,168	\$1,232	\$1,293	\$1,356	\$1,424	\$1,495
●○ ARC-N55F-42DWST	Wood Ply	Upholstered	19	31	25-3/4	18	18-1/2	18	17-1/2	14"	0.6	N/A	\$1,045	\$1,075	\$1,108	\$1,138	\$1,171	\$1,200	\$1,233	\$1,266	\$1,303
○○ ARC-N55F42DPST	Thermoplastic	Upholstered	19	31	25-3/4	18	18-1/2	18	17-1/2	14"	0.6	N/A	\$836	\$866	\$897	\$930	\$960	\$991	\$1,023	\$1,057	\$1,092



Shipping Information
Set up
7.68 cu. ft.

Arc, Mid Back, Sled Base, Armless																					
Model Number	Back Material	Seat Material	O.A. Width"	O.A. Height"	Arm Height"	Seat Depth"	Seat Width"	Seat Height"	Back Width"	Back Height"	COM Ydg	Wood/Plastic	Grade 1 COM	Grade 2	Grade 3	Grade 4	Grade 5	Grade 6	Grade 7	Grade 8	Grade 9
●● ARC-N55E43W	Wood Ply	Wood Ply	19	31	N/A	18	18-1/2	18	17-1/2	14"	N/A	\$1,148	Wood Ply Shell								
○○ ARC-N55E43P	Thermoplastic	Thermoplastic	19	31	N/A	18	18-1/2	18	17-1/2	14"	N/A	\$676	Thermoplastic Shell								
●○ ARC-N55E43-	Upholstered	Upholstered	19	31	N/A	18	18-1/2	18	17-1/2	14"	1.2	N/A	\$994	\$1,069	\$1,148	\$1,222	\$1,298	\$1,374	\$1,452	\$1,536	\$1,627
○○ ARC-N55E43DW	Wood Ply	Upholstered	19	31	N/A	18	18-1/2	18	17-1/2	14"	0.6	N/A	\$1,071	\$1,108	\$1,148	\$1,185	\$1,223	\$1,260	\$1,300	\$1,343	\$1,387
○○ ARC-N55E43DP	Thermoplastic	Upholstered	19	31	N/A	18	18-1/2	18	17-1/2	14"	0.6	N/A	\$815	\$851	\$891	\$930	\$966	\$1,005	\$1,044	\$1,086	\$1,130



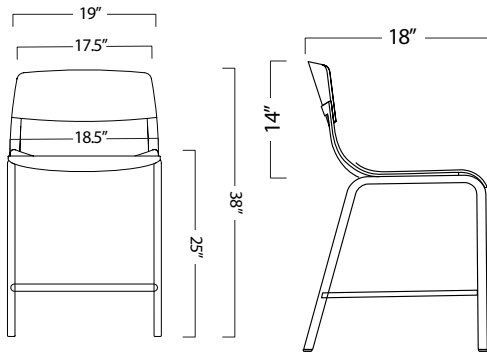
Shipping Information
Set up
9.6 cu. ft.

Material Quick Identifier

- Back Wood Ply Shell/Seat Wood Ply Shell
- Back Thermoplastic Shell/Seat Thermoplastic Shell
- Back Upholstered Shell/Seat Upholstered Shell
- Back Wood Ply Shell/Seat Upholstered Shell
- Back Thermoplastic Shell/Seat Upholstered Shell

-
-
-
-
-

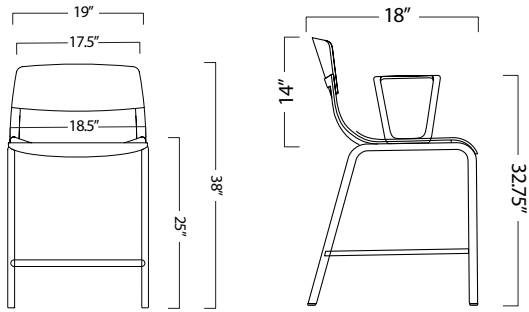
Arc, Mid Back, Sled Base, Loop Arms																					
Model Number	Back Material	Seat Material	O.A. Width"	O.A. Height"	Arm Height"	Seat Depth"	Seat Width"	Seat Height"	Back Width"	Back Height"	COM Ydg	Wood/Plastic	Grade 1 COM	Grade 2	Grade 3	Grade 4	Grade 5	Grade 6	Grade 7	Grade 8	Grade 9
ARC-N55E42W	Wood Ply	Wood Ply	19	31	25-3/4	18	18-1/2	18	17-1/2	14"	N/A	\$1,325	Wood Ply Shell								
ARC-N55E42P	Thermoplastic	Thermoplastic	19	31	25-3/4	18	18-1/2	18	17-1/2	14"	N/A	\$866	Thermoplastic Shell								
ARC-N55E42-	Upholstered	Upholstered	19	31	25-3/4	18	18-1/2	18	17-1/2	14"	1.2	N/A	\$1,172	\$1,246	\$1,325	\$1,398	\$1,474	\$1,551	\$1,628	\$1,714	\$1,805
ARC-N55E42DW	Wood Ply	Upholstered	19	31	25-3/4	18	18-1/2	18	17-1/2	14"	0.6	N/A	\$1,248	\$1,285	\$1,325	\$1,360	\$1,399	\$1,438	\$1,477	\$1,518	\$1,565
ARC-N55E42DP	Thermoplastic	Upholstered	19	31	25-3/4	18	18-1/2	18	17-1/2	14"	0.6	N/A	\$992	\$1,029	\$1,068	\$1,105	\$1,144	\$1,180	\$1,220	\$1,262	\$1,308



Shipping Information
Set up
8.16 cu. ft.

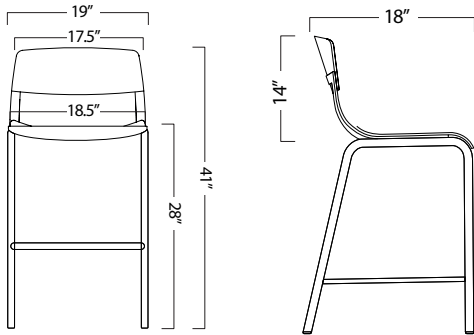
-
-
-
-
-

Arc, Stool, Counter Height, Armless																					
Model Number	Back Material	Seat Material	O.A. Width"	O.A. Height"	Arm Height"	Seat Depth"	Seat Width"	Seat Height"	Back Width"	Back Height"	COM Ydg	Wood/Plastic	Grade 1 COM	Grade 2	Grade 3	Grade 4	Grade 5	Grade 6	Grade 7	Grade 8	Grade 9
ARC-S55F43WCH	Wood Ply	Wood Ply	19	38	N/A	18	18-1/2	25	17-1/2	14"	N/A	\$1,058	Wood Ply Shell								
ARC-S55F43PCH	Thermoplastic	Thermoplastic	19	38	N/A	18	18-1/2	25	17-1/2	14"	N/A	\$708	Thermoplastic Shell								
ARC-S55F43CH-	Upholstered	Upholstered	19	38	N/A	18	18-1/2	25	17-1/2	14"	1.2	N/A	\$938	\$996	\$1,058	\$1,115	\$1,175	\$1,234	\$1,294	\$1,357	\$1,425
ARC-S55F-43DWCH	Wood Ply	Upholstered	19	38	N/A	18	18-1/2	25	17-1/2	14"	0.6	N/A	\$998	\$1,027	\$1,058	\$1,087	\$1,116	\$1,147	\$1,176	\$1,209	\$1,242
ARC-S55F43DPCH	Thermoplastic	Upholstered	19	38	N/A	18	18-1/2	25	17-1/2	14"	0.6	N/A	\$800	\$830	\$862	\$889	\$918	\$948	\$979	\$1,010	\$1,044



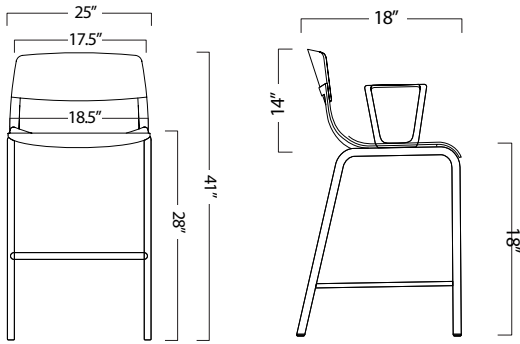
Shipping Information
Set up
10.2 cu. ft.

Arc, Stool, Counter Height, Loop Arm																					
Model Number	Back Material	Seat Material	O.A. Width"	O.A. Height"	Arm Height"	Seat Depth"	Seat Width"	Seat Height"	Back Width"	Back Height"	COM Ydg	Wood/Plastic	Grade 1 COM	Grade 2	Grade 3	Grade 4	Grade 5	Grade 6	Grade 7	Grade 8	Grade 9
●● ARC-S55F42WCH	Wood Ply	Wood Ply	25	38	32-3/4	18	18-1/2	25	17-1/2	14"	N/A	\$1,225	Wood Ply Shell								
○○ ARC-S55F42PCH	Thermoplastic	Thermoplastic	25	38	32-3/4	18	18-1/2	25	17-1/2	14"	N/A	\$885	Thermoplastic Shell								
○○ ARC-S55F42CH-	Upholstered	Upholstered	25	38	32-3/4	18	18-1/2	25	17-1/2	14"	1.2	N/A	\$1,050	\$1,105	\$1,164	\$1,218	\$1,276	\$1,331	\$1,389	\$1,448	\$1,512
●○ ARC-S55F-42DWCH	Wood Ply	Upholstered	25	38	32-3/4	18	18-1/2	25	17-1/2	14"	0.6	N/A	\$1,108	\$1,135	\$1,164	\$1,192	\$1,219	\$1,247	\$1,277	\$1,307	\$1,337
○○ ARC-S55F42DPCH	Thermoplastic	Upholstered	25	38	32-3/4	18	18-1/2	25	17-1/2	14"	0.6	N/A	\$918	\$947	\$977	\$1,004	\$1,032	\$1,060	\$1,089	\$1,118	\$1,150



Shipping Information
Set up
8.16 cu. ft.

Arc, Stool, Bar Height, Armless																					
Model Number	Back Material	Seat Material	O.A. Width"	O.A. Height"	Arm Height"	Seat Depth"	Seat Width"	Seat Height"	Back Width"	Back Height"	COM Ydg	Wood/Plastic	Grade 1 COM	Grade 2	Grade 3	Grade 4	Grade 5	Grade 6	Grade 7	Grade 8	Grade 9
●● ARC-S55F43WBH	Wood Ply	Wood Ply	19	41	N/A	18	18-1/2	28	17-1/2	14"	N/A	\$1,073	Wood Ply Shell								
○○ ARC-S55F43PBH	Thermoplastic	Thermoplastic	19	41	N/A	18	18-1/2	28	17-1/2	14"	N/A	\$725	Thermoplastic Shell								
○○ ARC-S55F43BH-	Upholstered	Upholstered	19	41	N/A	18	18-1/2	28	17-1/2	14"	1.2	N/A	\$955	\$1,012	\$1,073	\$1,130	\$1,191	\$1,250	\$1,309	\$1,374	\$1,440
●○ ARC-S55F43DW-BH	Wood Ply	Upholstered	19	41	N/A	18	18-1/2	28	17-1/2	14"	0.6	N/A	\$1,014	\$1,043	\$1,073	\$1,103	\$1,131	\$1,162	\$1,192	\$1,224	\$1,257
○○ ARC-S55F43DPBH	Thermoplastic	Upholstered	19	41	N/A	18	18-1/2	28	17-1/2	14"	0.6	N/A	\$818	\$847	\$876	\$907	\$936	\$965	\$994	\$1,027	\$1,060



Shipping Information
Set up
10.2 cu. ft.

		Arc, Stool, Bar Height, Loop Arm																			
Model Number	Back Material	Seat Material	O.A. Width"	O.A. Height"	Arm Height"	Seat Depth"	Seat Width"	Seat Height"	Back Width"	Back Height"	COM Ydg	Wood/Plastic	Grade 1 COM	Grade 2	Grade 3	Grade 4	Grade 5	Grade 6	Grade 7	Grade 8	Grade 9
●● ARC-S55F42WBH	Wood Ply	Wood Ply	25	41	35-3/4	18	18-1/2	28	17-1/2	14"	N/A	\$1,240	Wood Ply Shell								
○○ ARC-S55F42PBH	Thermoplastic	Thermoplastic	25	41	35-3/4	18	18-1/2	28	17-1/2	14"	N/A	\$904	Thermoplastic Shell								
○○ ARC-S55F42BH-	Upholstered	Upholstered	25	41	35-3/4	18	18-1/2	28	17-1/2	14"	1.2	N/A	\$1,123	\$1,178	\$1,240	\$1,299	\$1,357	\$1,417	\$1,477	\$1,542	\$1,609
●● ARC-S55F42DW-BH	Wood Ply	Upholstered	25	41	35-3/4	18	18-1/2	28	17-1/2	14"	0.6	N/A	\$1,182	\$1,210	\$1,240	\$1,270	\$1,300	\$1,329	\$1,358	\$1,392	\$1,425
○○ ARC-S55F42DPBH	Thermoplastic	Upholstered	25	41	35-3/4	18	18-1/2	28	17-1/2	14"	0.6	N/A	\$985	\$1,014	\$1,045	\$1,073	\$1,104	\$1,132	\$1,163	\$1,195	\$1,228

Model Number	Description	List Price
N55FSD	Dolly for ST model only, Stacks 4	\$397

Set Up Charges and Upcharges for Non-Standard and Custom Finishes

Model Number	Description	List Price
Group 2 Powder Coat	Set up charge, per color, per order, for Group 2 Powder Coat	\$329

Product Information

For Optional Two Tone Fabric on Upholstered Back and Seat Models

Average the two desired grades, round up, and add one grade.

example:

Average Grades 3 and 4 = 3.5

Round up = Grade 4

Add one Grade = **Grade 5**

Model Number

ARC - (add suffix "ST" to model number for stackable frame)

Height Adjustment	Seating LineFunction	Size	Arm Style	Material	Stool Height								
Gas Lift	G	Arc	55	Swivel only	D	Mid	4	Armless	3	Wood	W	CH	Counter (25"H Seat)
No Height Adjust	N			Leg Chair	F			Loop Arm	2	Thermoplastic	P	BH	Bar (28"H Seat)
High Base Stool	S			Sled Base	E					Wood Back/ Uphol. Seat	DW		
										Thplst Back/ Uphol. Seat	DP		
										Uphol.Seat/	-COM/G1-9		

Back

To Order Specify *(Program fabric and finish offerings can be seen at mediatechnologies.com/resources/fabrics and .../resources/finishes)*

Fabric and Colorway: Grade 1-9, COM. *Note: Momentum; Silica, Silica Leather and Canter are not approved for use.*

Optional Two Tone Fabric: Specify fabric for both seat and back

Frame Finish: 809 Silver, 112 White, 109 Cream, 208 Putty, 304 Dove Grey, 407 Stone, 912 Black, 902 Black Wrinkle

Frame Finish (upcharge): 5003 Navy, 808 Nickel, 405 Charcoal, 621 Goldfinch, 622 Parakeet, 613 Blue Heron, 627 Blue Wren, 629 Hummingbird, 618 Purple Martin, 624 Cardinal

Thermoplastic (Polypropylene) Color Options:
(T12 Raven is standard for Arms unless specified otherwise) T16 Dove, T11, Swan, T15 Falcon, T12 Raven, T17 Woodpecker, T22 Parakeet, T19 Peacock, T29 Hummingbird, T13 Blue Heron, T27 Blue Wren, T18 Purple Martin, T21 Goldfinch, T23 Oriole, T24 Cardinal, T30 Rio, T14 Jay*, T20 Macaw*, T28 Lorakeet*, T25 Flamingo*
*Limited Stock Available

Beech Wood Ply Finish:
Sprayon Group: Sprayon Tahiti Blue, Spotlight White, Valencia Orange, Black Cat, Lemon Yellow, Engine Red, Glade Green, Dove Light Grey, Rocky Medium Grey
Oak Group: Natural Oak NO 30, Millenium Oak NO, Cherry Loco CL 30, Cherry Riftwood CL-30, Silver Riftwood SR 30, Cascara Oak CC 30, Espresso Oak EO 30
Maple Group: Natural Maple NM 30, Ginger Maple IM 30, Cognac Maple CM 30, Kingsley Maple KM 30, Cocoa Maple OM 30, Espresso Maple EM 30
(Important Note regarding finishes on Beech Wood Ply: The Oak and Maple finish samples shown on our website are stains on Oak or Maple. There will be a slight variation when these stains are applied to Beech.)

Pricing shown is based on standard program materials and finishes.