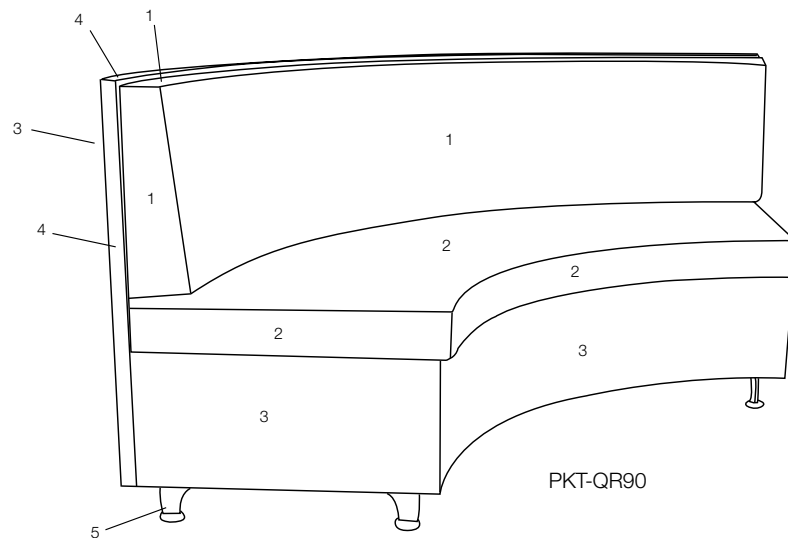


POCKET LOUNGE FINISH DESIGNATOR

Typical Surface Designations:



*COM Yardage:

PKT-QR90 Back 3yd, Seat 3yd

Job:

Model Number:

Finish Schedule:

1 Back Fabric: _____

2 Seat Fabric: _____

3 HPL or Veneer Bench Base/Back: _____

4 PVC or Wood Edge: _____

5 Leg Powder Coat: _____

*COM yardage is based on single material. For multiple selections divide number of colors by total faces and factor up by 20%.



pocketlounge-finishdesignator-190605

892 Industrial Park Drive
Shelby, MI 49455
P: 231.861.2194 | F: 231.861.6678
www.mtcontract.com
sales@mediatechnologies.com

