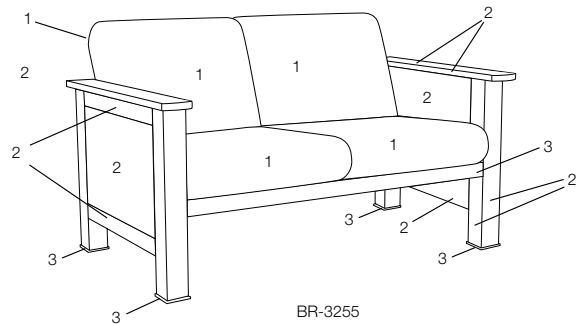
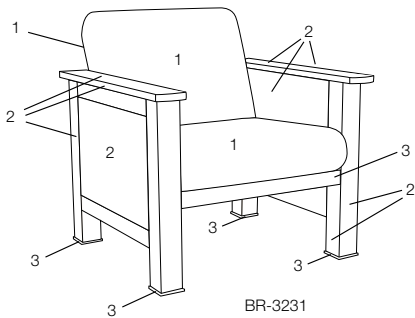
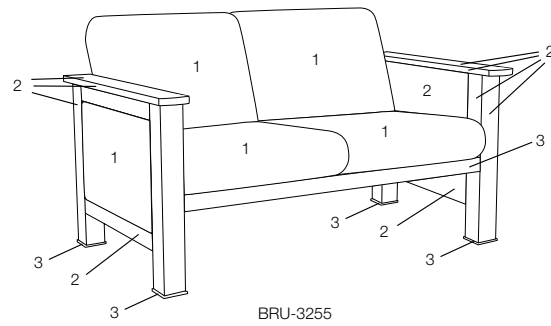
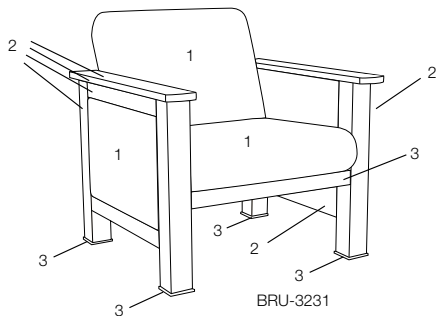


BARON FINISH DESIGNATOR

Typical Surface Designations With Veneer Panel Arm Rests



With Fabric Panel Arm Rests



*COM Yardage:

BR-3231	2.5 yd
BR-3255	5 yd
BRU-3231	3.5 yd
BRU-3255	6 yd

Job:

Model Number:

Finish Schedule:

1 Seat/Back Fabric: _____

2 Veneer Frame: _____

3 Powder Coat Accents: _____

*COM yardage is based on single material. For multiple selections divide number of colors by total faces and factor up by 20%.



baron-finishdesignator-190605

892 Industrial Park Drive
Shelby, MI 49455
P: 231.861.2194 | F: 231.861.6678
www.mtcontract.com
sales@mediatechnologies.com

PURE MICHIGAN®