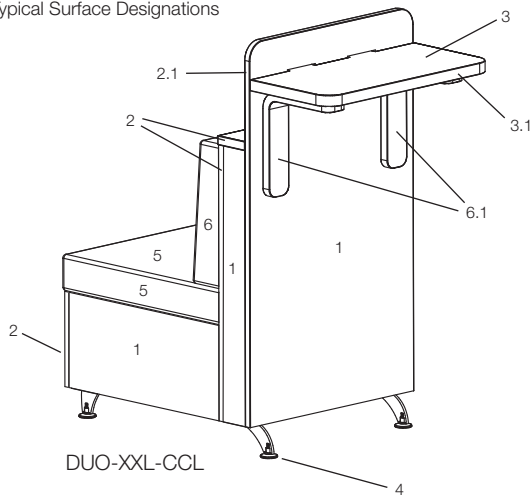


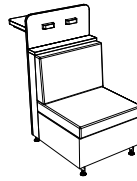
DUO CAFÉ FINISH DESIGNATOR

Non-Wood Grain Laminate

Typical Surface Designations



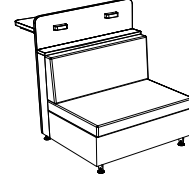
DUO-XXL-CCL



DUO-25L-CC



DUO-36L-CC



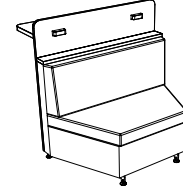
DUO-48L-CC



DUO-L35L-CC



DUO-R35L-CC



DUO-RL45L-CC

*COM Yardage:

DUO-25L-CC

Back 1 yd, Seat 1 yd

DUO-L35L-CC

Back 1.25 yd, Seat 1.25 yd

DUO-36L-CC

Back 1.25 yd, Seat 1.25 yd

DUO-R35L-CC

Back 1.25 yd, Seat 1.25 yd

DUO-48L-CC

Back 1.5 yd, Seat 1.5 yd

DUO-RL45L-CC

Back 1.5 yd, Seat 1.5 yd

*COM yardage is based on single material. For multiple selections divide number of colors by total faces and factor up by 20%.

Job:

Model Number:

Finish Schedule:

1 Base/Back Case & Back Panel Laminate (Baltic Birch Core):

2 Base & Back Case PVC:

2.1 **Back Panel Edge Clear Stain**

3 Café Counter (Baltic Birch Core) Laminate:

3.1 **Café Counter Edge Clear Stain**

4 Leg Powder Coat:

5 Seat Bottom Fabric:

6 Seat Back Fabric:

6.1 **Counter Support Finished to Match Panel 1**



duocafe-finishdesignator-210218

892 Industrial Park Drive
 Shelby, MI 49455
 P: 231.861.2194 | F: 231.861.6678
 www.mtcontract.com
 sales@mediatechnologies.com

