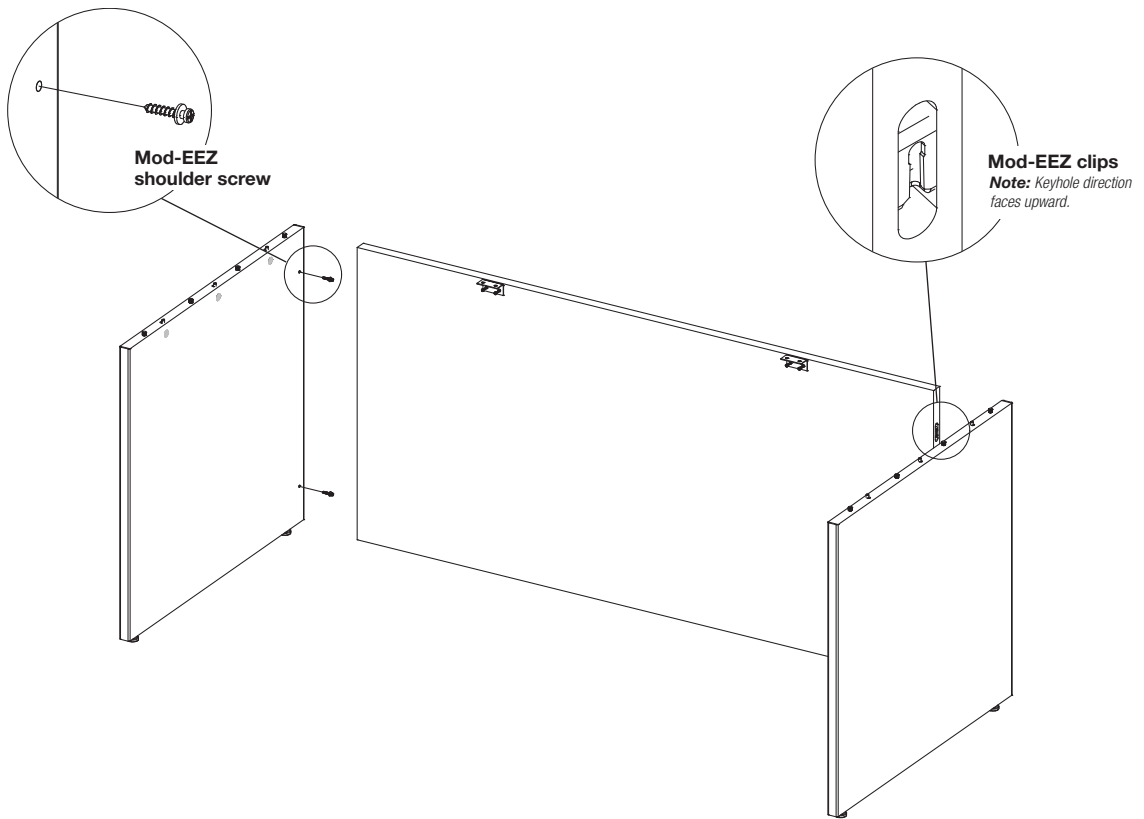


TIMMY

Panel Ends

Desks



Hardware Included:



Mod-EEZ
Shoulder Screw

Tools Required:

- Rubber Mallet
- #2 Phillips Head Screwdriver

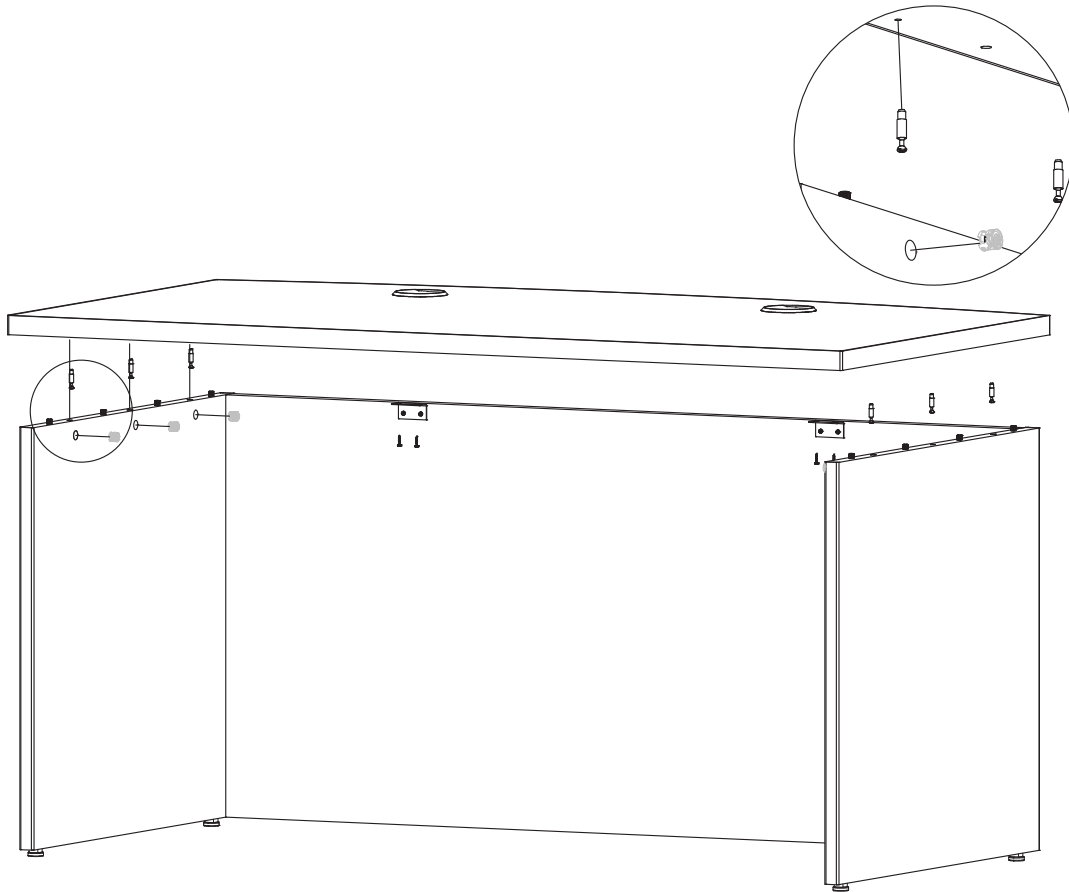
Step 1: Assembling the Desk Base

- Locate end & front panels. Verify adjustable glides are installed in end panels.
- Install Mod-EEZ shoulder screw in pre-drilled holes in end panels.
- Line up pre-installed Mod-EEZ clips in the edge of front panels with shoulder screws installed in the end panels. Use rubber mallet to tap down panel until secured.

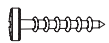
TIMMY

Worksurface

Desks



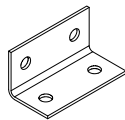
Hardware Included:



#8 x 5/8"
PH Screw



15mm
Cam



2" L Bracket

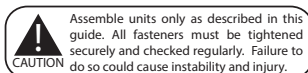
Tools Required:

- Rubber Mallet
- #2 Phillips Head Screwdriver

Step 2: Install Top of Desk

- Install Dowels (glue dowels) & 15mm Cams into the top of the end panels.
- Install cam studs into bottom of the top panel using pre-drilled holes.
- Install 2" L brackets onto the inside of the front panel using #8 x 5/8"PH Screws.
- Line up top with base making sure to drop cam studs into the appropriate holes in end panels.
- Secure top by turning 15mm cams in end panels until studs are fully engaged.
- Use #8 x 5/8"PH Screws to screw through 2" L bracket, into bottom of the top panel.
- Install grommets in top panel (if applicable).

TIP: Desk is most easily assembled upside down.

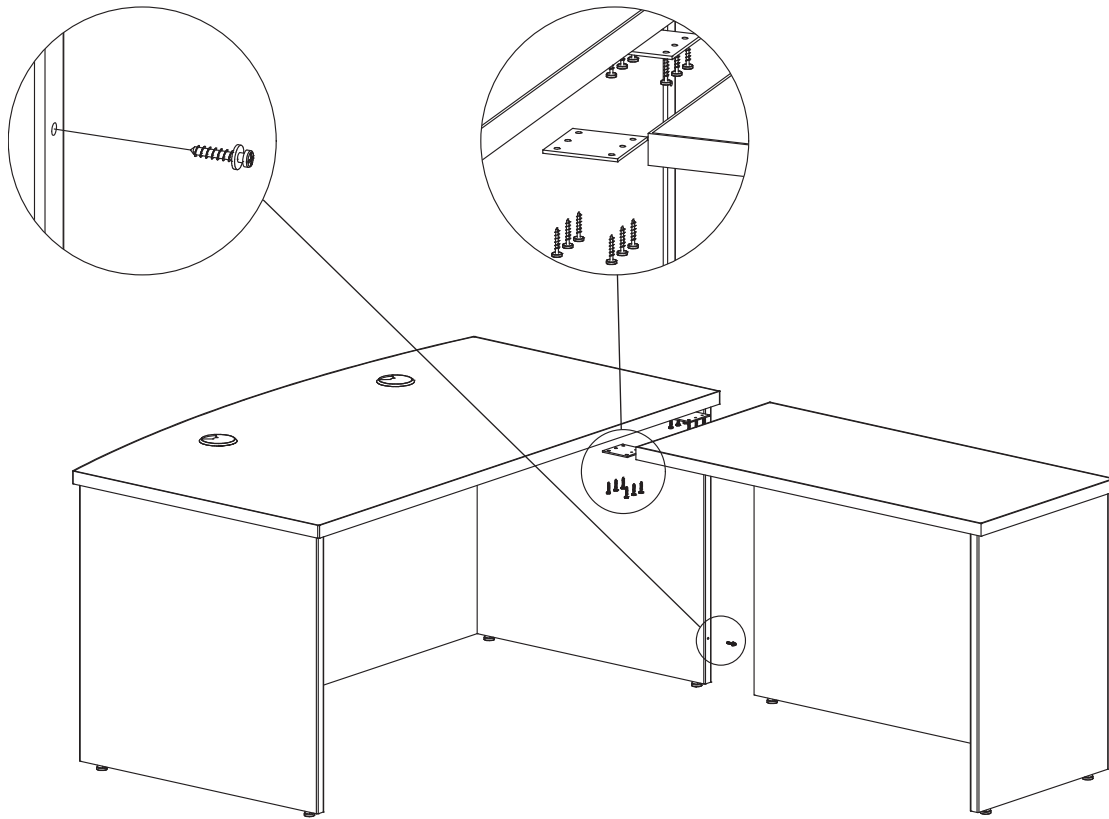


Assemble units only as described in this guide. All fasteners must be tightened securely and checked regularly. Failure to do so could cause instability and injury.

TIMMY

Desk Return

Desks



Hardware Included:



Mod-EEZ
Shoulder Screw



#10 x 3/4"
PH Screws



Mending Plate

Tools Required:

- Rubber Mallet
- #2 Phillips Head Screwdriver

Step 3: Attach Desk Return (if applicable)

- Assemble base of desk return in the same manner as in Steps #1 & 2.
- Install Mod-EEZ shoulder screws in pre-drilled holes in end panel of main desk.
- Line up pre-installed Mod-EEZ clips in the edge of front panel with shoulder screws installed in the end panel.
Use rubber mallet to tap down panel until secured.
- Line up the seam in between the top of main desk and return. Using #10 x 3/4" PH Screws secure mending plates to the bottom of the top so they level & hold the tops tightly together.